

Pneumatics is changing air that is wherever and infinitely available in the world to power energy. You might seldom see its actual applications, but currently pneumatic equipment are used in production and conveyer lines in almost all industries.

VPC company, which was founded in 1985, as a leading manufacturer, is dedicated to serve the automation and labor saving requirements with our pneumatic product range.

Above, coupled with close connection with customers' requirements, enables us to manufacture and make good valve, high quality products and to operate successfully around the world. As natural result of such policy VPC has been recognized to be in compliance with the requirements as provided for the quality system standard ISO9001:2000, as well as the CE Certificate, which is the first pneumatic enterprise who get both certificates in Ningbo, China.

VPC built an excellent sales team is taking advantage of a widespread net of local and foreign distributor constant expansion in the main worldwide strategic areas. We believe the diversity of our product line, and the sincere work of our staff will make VPC to be world class performance leaders of pneumatic products.

Sincere Service  
Good Quality



Pneumatic Cylinder



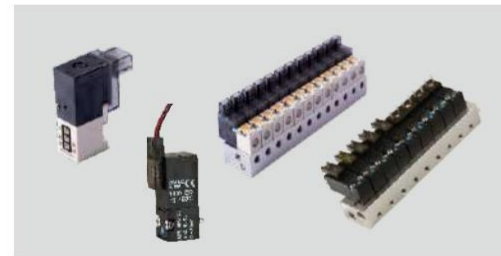
Technical Data 1.....	002
DNC Series ISO6431 Standard Cylinder.....	003
SI Series ISO6431 Standard Cylinder.....	005
DNC/SI ISO6431 Standard Cylinder Brackets.....	007
SC/SU Series Standard Cylinder.....	010
SC/SU Series Standard Cylinder Brackets.....	012
MB Series Standard Cylinder.....	014
Technical Data 2.....	015
MAL Series MINI Cylinder.....	016
MA Series MINI Cylinder.....	020
MAL/MA Series MINI Cylinder Brackets.....	022
MI Series MINI Cylinder.....	024
CJ2B Series MINI Cylinder.....	026
CDM2B Series MINI Cylinder.....	026
Technical Data 3.....	027
SDA Series Compact Cylinder.....	028
CQ2 Series Compact Cylinder.....	035
ADVU Series Compact Cylinder.....	038
CU Series Free Installation Cylinder.....	040
TN Series Double-shaft Cylinder.....	042
CXS Series Double-shaft Cylinder.....	044
STM Series Slide Cylinder.....	046
MXS Series Slide Cylinder.....	049
CY1 Series Rodless Cylinder.....	049
CXSW Series Dou-shaft Cylinder.....	050
CJP Series Needle Cylinder.....	050
MSQ Series Rotary Table,Rack&Pinion Cylinder.....	051
RSQ Series Stopper Cylinder.....	051
MGP Series Three-shaft Cylinder.....	052
MHZ Series Style Air Cylinder.....	052
MHL Series Style Wide Opening Air Cylinder.....	053
MHT Series Angle Style Air Cylinder Toggle Type.....	053
Special Cylinder.....	054
Cylinder Assembly Kits.....	055
Magnetic Switches.....	056



## Directional Valve



Technical Data4.....	058
2V1 Series Solenoid Valve.....	059
3V1 Series Solenoid Valve.....	060
3V Series Solenoid Valve.....	061
4S Series Solenoid Valve.....	064
4V Series Solenoid Valve.....	068



V Series Manifold.....	073
VSV Series 10mm Micro Solenoid Valve.....	075
VSV Series 10mm Micro Solenoid Valve Combination.....	076
VSV Series 15mm Micro Solenoid Valve.....	077
VSV Series 15mm Micro Solenoid Valve Combination.....	078



SY Series Solenoid Valve.....	079
SY Series Manifold.....	082
VF Series Solenoid Valve.....	083
3M Series Solenoid Valve.....	085
4M Series Solenoid Valve.....	087



3A Series Air Control Valve.....	089
4A Series Air Control Valve.....	092
L Series Hand Pull Valve.....	098
H Series Hand Push Valve.....	100
M Series Mechanical Valve.....	102



4HV Series Rotary Valve.....	104
HV Series Rotary Valve.....	105
F Series Foot Pedal Valve.....	107
ASC Series One-Way Throttle Valve.....	109
AS Series Big Flow Control Valve.....	110



Flow Control Valve.....	111
Shuttle Valve.....	112
Slide Valve.....	112
One Way Valve.....	113
Quick Exhausting Valve.....	114

## Solenoid Valve



Technical Data 5 (Valve body seal material selection list).....	116
Technical Data 6.....	117
Technical Data 7.....	118
SLP Series Valve (Normal Close).....	119
SLP Series Valve (Normal Open).....	122
ZS Series Solenoid Valve (Normal Close).....	124
ZS Series Valve (Normal Open).....	126



VPC Series Direct Acting Solenoid Valve.....	128
VPC Series Miniature Solenoid Valve (3/2Way).....	129
VPC Series Pilot-Diaphragm Solenoid Valve (Normal Close).....	130
VPCE Series High Pressure Solenoid Valve.....	131
VPCT Series High Temperature Solenoid Valve.....	132
VPC Series Step Direct Acting Diaphragm Solenoid Valve.....	133
VPCS Series Stainless Steel Pilot Diaphragm Solenoid Valve.....	134



PU220 Series Solenoid Valve.....	135
PU225 Series Solenoid Valve.....	136
2W Series Solenoid Valve.....	137
2L Series Solenoid Valve.....	139



2S Series Stainless Steel Solenoid Valve.....	140
2P Series Solenoid Valve.....	141
2V Series Solenoid Valve.....	142
2Q Series Solenoid Valve.....	143



VX Series Solenoid Valve.....	144
SLH Series High Temperature Stainless Steel Solenoid Valve.....	145
SLDF Series Special For Under-Water Solenoid Valve.....	146
VPC Series Angle Valve (Full Stainless Steel).....	147
VPCP Series Angle Valve (Plastic Actuator).....	149



VPCF Series Electro-Magnetic Valve.....	151
VPCYF Series Electro-Magnetic Valve.....	152
Armature+Connector+Coil.....	153
Air Suspension Valve Block.....	154
VAT Series Pneumatic Actuators.....	155



## Air Treatment Units (FRL)



Air Treatment Unit Tips.....	158
OU Series Air Treatment Units.....	159
OFR Series Air Treatment Units.....	161
OF Series Air Treatment Units.....	163



OL Series Air Treatment Units.....	165
OR Series Air Treatment Units.....	167
ORB Series Pressure Regulator Combinations.....	169
O Series Accessories.....	170



AC Series F.R.L Combination.....	171
AC Series F.R.L Combination.....	173
AW Series F.R. Combination.....	175
AF Series Air Filter.....	177



AL Series Lubricator.....	179
AR Series Air Regulation.....	181
A Series F.R.L Accessories.....	183



V Series F.R.L With Embedded Air Gauge.....	185
A/B Series Air Treatment Unit.....	186

## Pneumatic Accessories



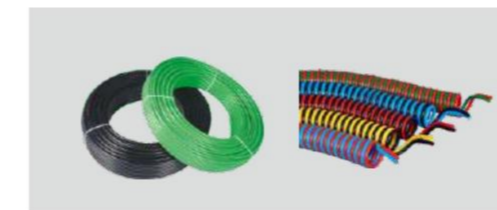
One Touch-In Fitting.....	188
One Touch-In Fitting With O-Ring.....	194
Hand Valve.....	196
MINI Type One Touch-In Fitting.....	197



Stop Fitting.....	198
Check Valve.....	198
KQ Series One Touch-In Fitting.....	199
Brass One Touch-in Fitting.....	202



Stainless Steel Fitting.....	203
VPC Series Pipe Fitting.....	204
Silencer.....	205



PU Tube(Polyester Polyurethane).....	206
PUC Coiling Tube(Polyester Polyurethane).....	207
PUCL Twin(Multi-row)Spiral Hose.....	208
PUS Twin(Multi-row)Hose,Bundle Hose.....	209
EU Tube(Ether-Based Polyurethane,Food Grade).....	210



EUC Coiling Tube(Ether).....	211
PBH Braided Tube(Ester)/Yarn Tube.....	212
PUH Anti-Spark Hose.....	213
PA Nylon Tube.....	214



PAC Coiling Tube.....	215
PE Tube.....	216
FEP Tube.....	217
Sectional Tube.....	218
Pressure Switch.....	219



## Measure Conversion Table

### Linear Measure

1 in	=25.4	mm
1 ft	=0.3048	m
1 mile	=1609.3	m

### Weight Measure

1 lb	=453.6	g
1 cwt	=50.8	Kg
1 UK ton	=1016	Kg
1 US ton	=907.2	Kg
1 ton	=1000	Kg

### Torsion Measure

1 in lb	=0.113	Nm
1 ft lb	=1.356	Nm
1 kgm	=9.807	Nm

### Temperature Measure

(°F-32) X5/9	=	°C
K-273.15	=	°C

### Capacity Measure

1 Litre	=0.001	m <sup>3</sup>
1 cu ft	=0.0283	m <sup>3</sup>
1 cu in	=16.39	cm <sup>3</sup>
1 US gal	=4.546	L
1 UK gal	=3.79	L

### Equivalent Exchange

1 psi	=6.895Kpa=0.07Kg/cm	=0.06895bar=0.0703atm
1sta atm=14.7psi=101.3Kpa	=1.01325bar	
1Kg/cm <sup>2</sup> =98.07Kpa=14.22psi	=28.96ins mercury	
1ft lb	=0.13826kgm	=1.356Nm
1L	=1000cm <sup>3</sup>	=1.7598pint =10 <sup>6</sup> mm <sup>3</sup>
1tonne	=1000kg	=0.984ton =2205lb
1m <sup>3</sup>	=10 <sup>6</sup> cm <sup>3</sup>	
1Pa	=1N/m <sup>2</sup>	
1cu ft/min.	=0.0283m <sup>3</sup> /min	=28.3l/min

### Area Measure

1 in <sup>2</sup>	=6.45	cm <sup>2</sup>
1 ft <sup>2</sup>	=0.0929	m <sup>2</sup>

### Pressure Measure

1 psi	=6.89	Kpa
1 Kg/cm <sup>2</sup>	=98.07	Kpa
1 bar	=100	Kpa
1 bar	=14.5	psi
1 atm	=101.3	Kpa
1 cm water	=97.89	pa
1 in water	=248.64	pa
1 mm mercury	=133.3	pa
1 in mercury	=3.39	Kpa
1 torr	=133.3	pa
1 ft water	=0.0298	bar
1 bar	=33.3	ft water

### Energy&Heat Measure

1 lb ft	=1.356	J
1 N m	=1	J
1 Kg f m	=9.807	J
1 Kw h	=3.6	MJ

### Force Measure

1 lbf	=4.45	N
1 Kg f	=9.81	N
1Kilopond (K P)	=9.81	N
1 ton force	=9.81	KN

### Power Measure

1 lb ft/sec	=4.358	W
1 Kg f m/sec	=9.807	W
1 N m/sec	=1	W
1 Joule/sec	=1	W
1 H. P. (IMP)	=745.7	W

## Cylinder

### User Manual

1. Before screwing the correct fitting in, make sure the thread ports and fittings are clean. Be aware of dust or fitting tap falling into the cylinder;
2. It is suggested to use the medium lubricated by 40um filter element;
3. Under the high-temperature environment, use the high-temperature type cylinder. Under the low-temperature environment, take measure to avoid frozen;
4. In order to prevent damaging the cylinder, test the cylinder with loading first and adjust the cushion tightly.
5. In order for the cylinder to achieve long service life, do not side-load cylinder,
6. If the fittings were removed from the cylinder for a period of time, be sure to block the thread port with protecting cap to keep the dust away.

### Caution

1. To remove the rust, external impurity and water, please install a filter near to the directional valve.
2. Please use galvanized pipe, nylon tube, rubber pipe etc corrosion resistant pipe materials.
3. For the piping between the cylinder and the directional control valve, please confirm section have effective cross-sectional area of the provisions of the velocity of the piston must be.
4. Piping before the removal of external impurity in the tube, chip etc. Please use compressed air to clean.
5. When connected with the component products, please do not mix with the sealing belt and other foreign bodies.
6. And in poor rod load please keep in axial state.

### Maintenance

1. The most suitable temperature for the use of the cylinder is 5-60°C, when the temperature exceeds 60°C, please consider to change the material of the seal ;if the temperature is below 5°C, due to the freezing of water in the loop, there may become an accident, please consider to prevent freezing.
2. Please don't use cylinder corrosion environment , otherwise they will be damaged or dysfunctional if must be used in such an environment, please consult with VPC for solution.
3. Compressed air used must be clean and less water.
4. The purpose of the buffer is to use the energy of the air to absorb the kinetic energy of the moving parts, so that the piston and the end cover are not impacted at the end of the stroke.
5. Pneumatic buffer at the factory has been adjusted. Due to the variation of load to adjust the buffer can slowly rotate to the right needle, counterclockwise is weakened.
6. Please do not use the cylinder directly to the cutting fluid, cooling environment, please add the dust cover on the cylinder.

### Tips

1. Cylinder can be caused by using the cylinder in the large inertia of the super-permitted range.
2. Please do not beat the cylinder, resulting in injuries, which well cause the cause of bad action.
3. Please install in the horizontal plane, if the installation surface is uneven, may cause the cylinder is damaged.
4. Attention to the inertia force due to external forces, and sometimes lead to negative pressure in the cylinder, so that the cylinder seal off, causing the external leakage.



# Directional Valve



## Technical Data 4

Orifice	O.D. Of Tube	Metric Thread		Inch Threads			Taper Pipe Thread	Note
		Thread	Thread hole	Thread	Outside Diameter	Inside Diameter		
mm	mm	mm		mm			mm	
3	4	M6X1						
4	6	M8X1	Φ6.7					
5 6	8	M10X1	Φ8.5	G1/8	Φ9.7	Φ8.6	ZG1/8	01
8	10	M12X1.25	Φ10.2	G1/4	Φ13.2	Φ11.5	ZG1/4	02
10	12	M16X1.5	Φ14	G3/8	Φ16.7	Φ15.1	ZG3/8	03
15				G1/2	Φ21	Φ18.7		04
20				G3/4	Φ26.4	Φ24.2		
25				G1	Φ33.3	Φ30.3		
32				G1-1/4	Φ41.9	Φ39.1		
40				G1-1/2	Φ47.8	Φ44.9		
50				G2	Φ59.7	Φ56.7		
65				G2-1/2				
80				G3	Φ87.9	Φ85		
90				G3-1/2				
100				G4	Φ113.1	Φ110.1		

### The level of the Ingress Protection

Description	I (①)			II (②)		
	Class	Numeral	Description	Class	Numeral	Description
IP ① ② ①: Impurities Infiltrated ②: Water Infiltrated	Impurities Infiltrated	0	Not Protected	Water Infiltrated	1	Dripping Water: Vertical
		1	>50mm diameter object		2	Dripping Water: ≤15° tilt
		2	>12mm diameter object		3	Dripping Water: ≤60° tilt
		3	>2.5mm diameter object		4	Spraying Water
		4	>1mm diameter object		5	Powerful Jetting Water
		5	Dust-deposited protected		6	Infiltrating Water
		6	Dust-infiltrated protected		7	Immersion

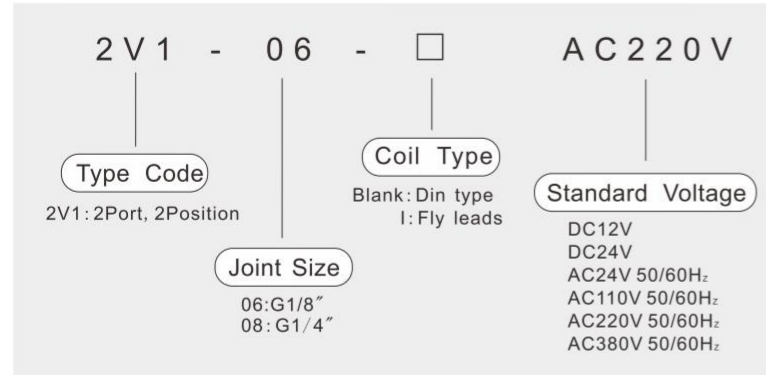
### The Standard of the Explosion-proof Grade

Description	Explosion Mark	Anti-explosion Mark	Anti-explosion Grade	Temperature Class
Ex d IIB T3 ① ② ③ ④ ⑤ ①Explosion Mark ②Anti-explosion Mark ③Explosion Category ④Anti-explosion Grade ⑤Temperature Class	Electrical Equipments in the underground mine	Isolated-explosion	d	A 450°C T1
	Protect	Enhanced-security type	e	B 300°C T2
	Factory electrical equipment	Essential safety	i	C 200°C T3
	Protect	Special protective type	s	135°C T4



## 2V1 Series Solenoid Valve

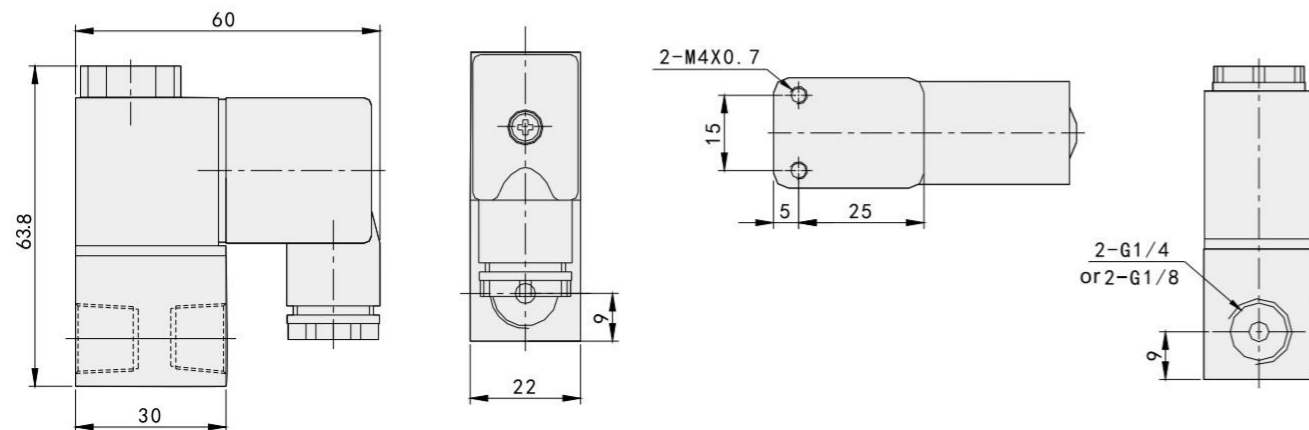
Ordering Code 2V1 Series Solenoid Valve



### Specifications

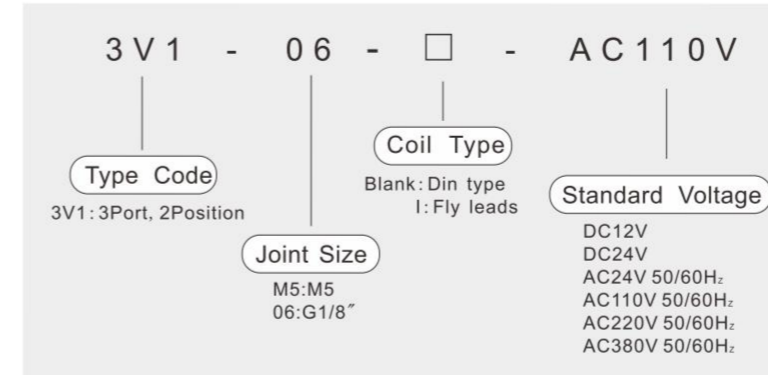
Model	2V1-06	2V1-08
Working Medium	Clean air(40µm Filtration)、Water、Oil	
Acting Type	Direct Acting Type	
Joint Size	1/8 "	1/4 "
Orifice	2mm	
Working Pressure	0~1.0Mpa	
Max.Pressure	1.5Mpa	
Working Temperature	-10~80°C	
Power	AC220V:5.5VA DC24V:4.8W	
Insulation Grade	F	
Protective Class	IP65	
Excitation Time	<0.05s	
Seal Material	NBR	

### Main Dimensions



## 3V1 Series Solenoid Valve

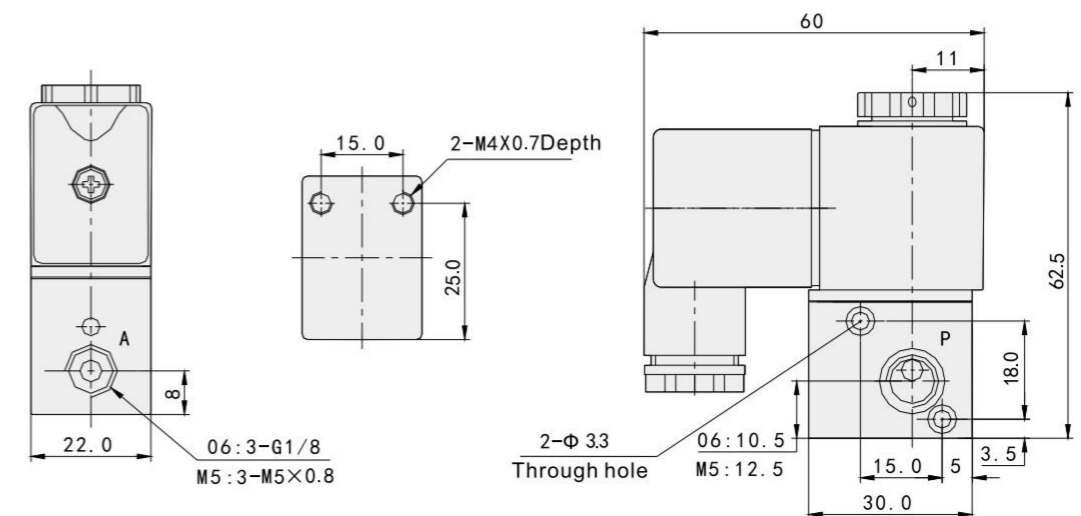
Ordering Code 3V1 Series Solenoid Valve



### Specifications

Model	3V1-M5	3V1-06
Working Medium	Clean air(40µm Filtration)	
Acting Type	Direct Acting Type	
Joint Size	M5	1/8 "
Ways	3Port, 2Position	
Working Temperature	-5~60°C	
Orifice	1.2mm	
Working Pressure	0.8Mpa	
Coil Type	Din type、Flying leads	
Max.Acting Frequency	10Times/s	

### Main Dimensions



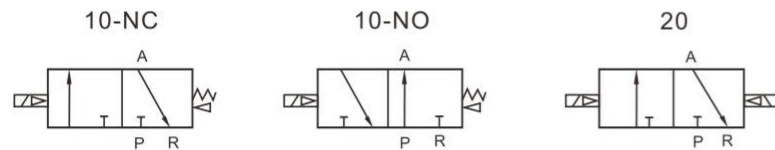


3V Series Solenoid Valve



Product features:

- \* Stable life cycle, guaranteed 10,000,000 times;
- \* Various voltage and working style are available;
- \* Different surface treatment, thread types
- \* (G, NPT, PT, BSPP, BSPT) are available.



Ordering Code 3V Series Solenoid Valve

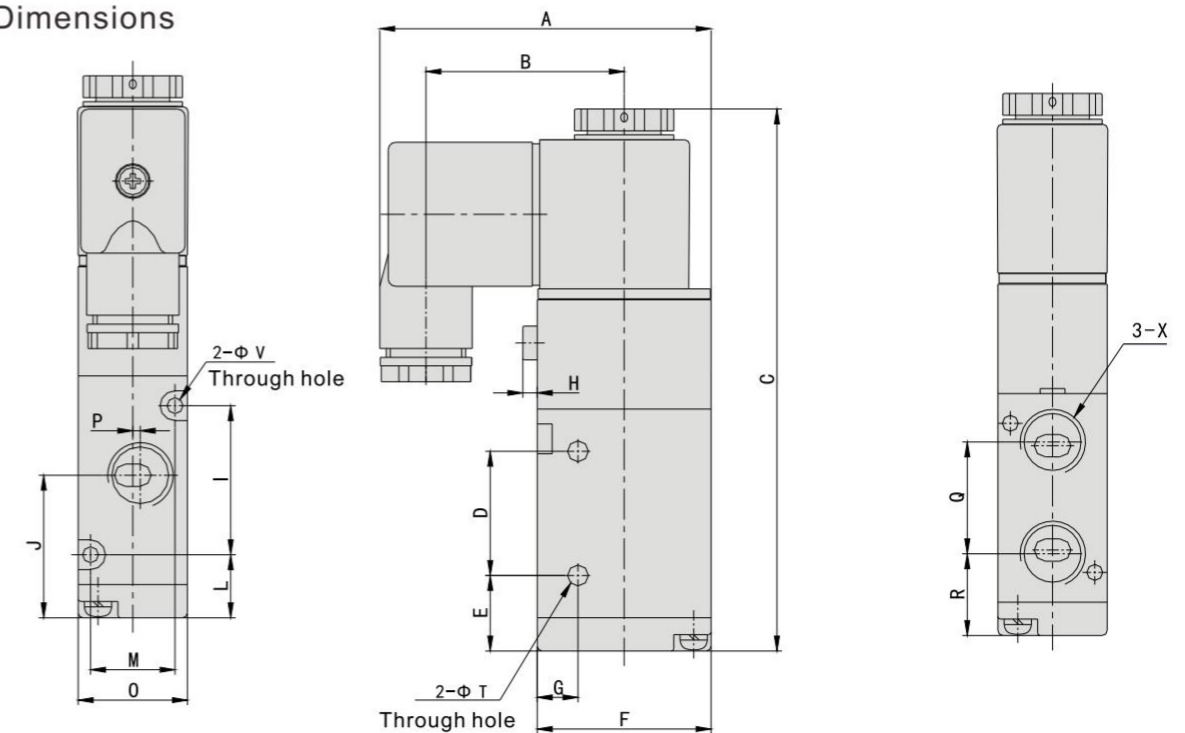
3 V	2	10	-	08	-	□	□	-	AC 220 V
Type Code	Series Code	Coil		Joint Size		Control Type	Coil Type		Standard Voltage
3V: 3Port, 2Position	1: 100 Series 2: 200 Series 3: 300 Series 4: 400 Series	10: Single control 20: Double control		M5: M5 06: G1/8" 08: G1/4" 10: G3/8" 15: G1/2"		Blank: Normal Close NO: Normal Open	Blank: Din type I: Fly leads		DC12V DC24V AC24V 50/60Hz AC110V 50/60Hz AC220V 50/60Hz AC380V 50/60Hz

3V Series Solenoid Valve

Specifications 3V Series Solenoid Valve(2 Position 3 Port Single Control)

Model	3V110-M5	3V110-06	3V210-06	3V210-08	3V310-08	3V310-10	3V410-15
Working Medium	Clean air(40µm Filtration)						
Acting Type	Internal Guide						
Joint Size	Import=M5 Export=M5	Import=1/8 Export=1/8	Import=1/8 Export=1/8	Import=1/4 Export=1/4	Import=1/4 Export=1/4	Import=3/8 Export=3/8	Import=1/2 Export=1/2
Sectional Area	5.5mm <sup>2</sup> (CV=0.31)	12mm <sup>2</sup> (CV=0.67)	14mm <sup>2</sup> (CV=0.78)	16mm <sup>2</sup> (CV=0.89)	25mm <sup>2</sup> (CV=1.39)	30mm <sup>2</sup> (CV=1.67)	50mm <sup>2</sup> (CV=2.79)
Working Pressure	0.15~0.9Mpa						
Max.Pressure	1.2Mpa						
Working Temperature	-5~60°C						
Voltage Range	-15%~10%						
Heat Resistant Grade	B						
Protective Class	IP65(DIN40050)						
Coil Type	Din type, Flying leads						
Max.Acting Frequency	5Times/S						4Times/S

Main Dimensions



Model	Sign	A	B	C	D	E	F	G	H	I	J	L	M	O	P	Q	R	ΦV	ΦT	X
3V110-M5		55.0	34	88.4	21	12.2	27	7.7	2.5	19	22.7	13.2	13	18	0	14.2	14.7	3.3	3.1	M5
3V110-06		55.0	34	88.4	21	12.2	27	7.7	2.5	19	23.7	13.2	13	18	1	16.0	14.7	3.3	3.1	1/8"
3V210-06		66.7	40	109	25	15.2	35	8.2	3	30	27.7	12.7	17	22	0	22.0	16.7	3.2	4.2	1/8"
3V210-08		66.7	40	109	25	15.2	35	8.2	3	30	28.7	12.7	17	22	1.5	22.5	16.7	3.2	4.2	1/4"
3V310-08		69.2	40	120	30	17.5	40	10.5	2.4	35	32.5	15.0	20	27	0	24.0	20.5	4.3	4.3	1/4"
3V310-10		69.2	40	120	30	17.5	40	10.5	2.4	35	32.5	15.0	20	27	2	24.0	20.5	4.3	4.3	3/8"
3V410-15		74.2	40	137	51	17.5	50	11.5	3	40	41.5	17.0	27	34	2	31.5	25.5	4.3	4.3	1/2"

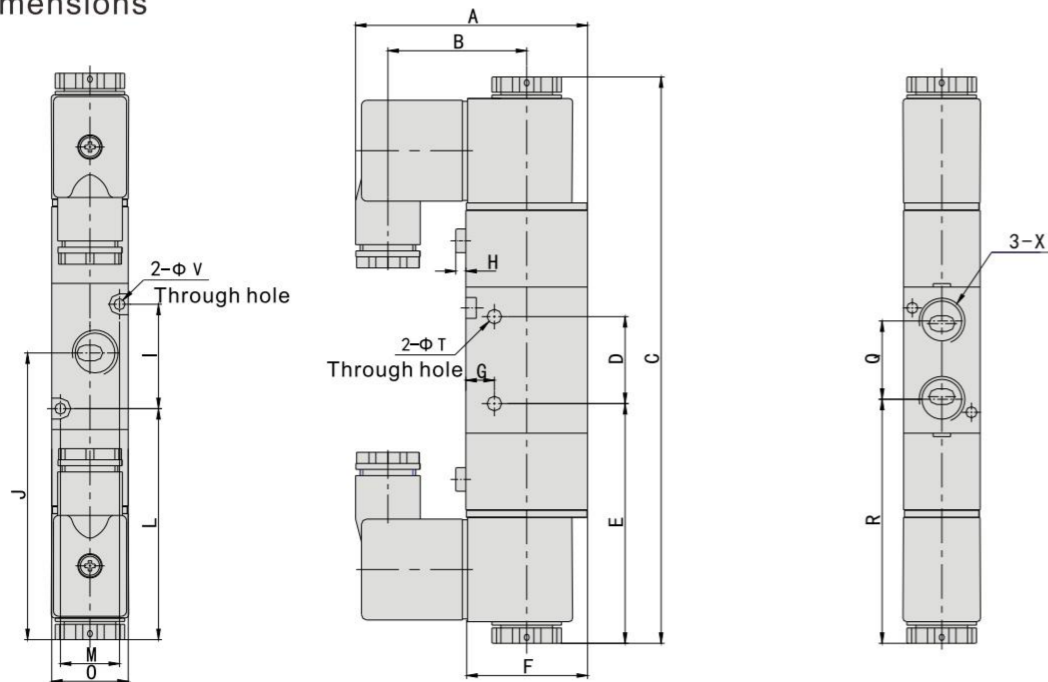


### 3V Series Solenoid Valve

#### Specifications 3V Series Solenoid Valve(2 Position 3 Port Double Control)

Model	3V120-M5	3V120-06	3V220-06	3V220-08	3V320-08	3V320-10	3V420-15
Working Medium	Clean air(40µm Filtration)						
Acting Type	Internal Guide						
Joint Size	Import=M5 Export=M5	Import=1/8 Export=1/8	Import=1/8 Export=1/8	Import=1/4 Export=1/4	Import=1/4 Export=1/4	Import=3/8 Export=3/8	Import=1/2 Export=1/2
Sectional Area	5.5mm <sup>2</sup> (CV=0.31)	12mm <sup>2</sup> (CV=0.67)	14mm <sup>2</sup> (CV=0.78)	16mm <sup>2</sup> (CV=0.89)	25mm <sup>2</sup> (CV=1.39)	30mm <sup>2</sup> (CV=1.67)	50mm <sup>2</sup> (CV=2.79)
Working Pressure	0.15~0.9Mpa						
Max.Pressure	1.2Mpa						
Working Temperature	-5~60°C						
Voltage Range	-15%~10%						
Heat Resistant Grade	B						
Protective Class	IP65(DIN40050)						
Coil Type	Din type, Flying leads						
Max.Acting Frequency	5Times/S						4Times/S

#### Main Dimensions

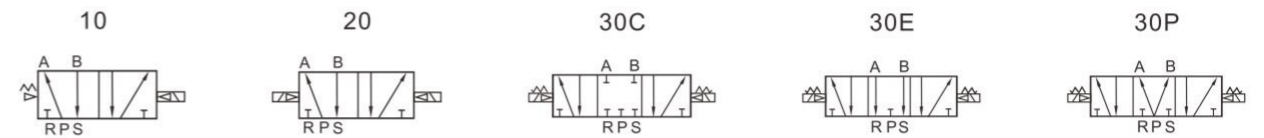


Model	Sign	A	B	C	D	E	F	G	H	I	J	L	M	O	X	Q	R	φV	φT
3V120-M5		55	34	131.4	21	55.2	27	7.7	2.5	19	65.7	56.2	13	18	M5	16	57.7	3.3	3.1
3V120-06		55	34	131.4	21	55.2	27	7.7	2.5	19	66.7	56.2	13	18	1/8"	16	57.7	3.3	3.1
3V220-06		66.7	40	162.8	25	69	35	8.2	3	30	81.4	66.4	17	22	1/8"	22	70.2	3.2	4.2
3V220-08		66.7	40	162.8	25	69	35	8.2	3	30	82.4	66.4	17	22	1/4"	22.5	70.2	3.2	4.2
3V320-08		69.2	40	174.8	30	72.4	40	10.5	2.4	35	87.4	70.0	20	27	1/4"	24	75.4	4.3	4.3
3V320-10		69.2	40	174.8	30	72.4	40	10.5	2.4	35	87.4	70.0	20	27	3/8"	24	75.4	4.3	4.3
3V420-15		74.2	40	190.5	51	95	50	11.5	3	40	95	82	27	34	1/2"	31.5	79.5	4.3	4.3

### 4S Series Solenoid Valve

#### Product features:

- \* Die-Casting valve body;
- \* Big Flow;
- \* Light-Weight;
- \* Good storage function.



#### Ordering Code 4S Series Solenoid Valve

4 S	2	10	-	08	-	□	-	AC 220 V
Type Code	Series Code	Coil		Joint Size		Coil Type		Standard Voltage
4S: 5Port, 2Position	1:100 Series 2:200 Series 3:300 Series 4:400 Series	10:Single control 20:Double control 30C:Double control 3Position Center Close 30E:Double control 3Position Center Exhaust 30P:Double control 3Position Center Pressure		06:G1/8" 08:G1/4" 10:G3/8" 15:G1/2"		Blank: Din type I: Fly leads		DC12V DC24V AC24V 50/60Hz AC110V 50/60Hz AC220V 50/60Hz AC380V 50/60Hz

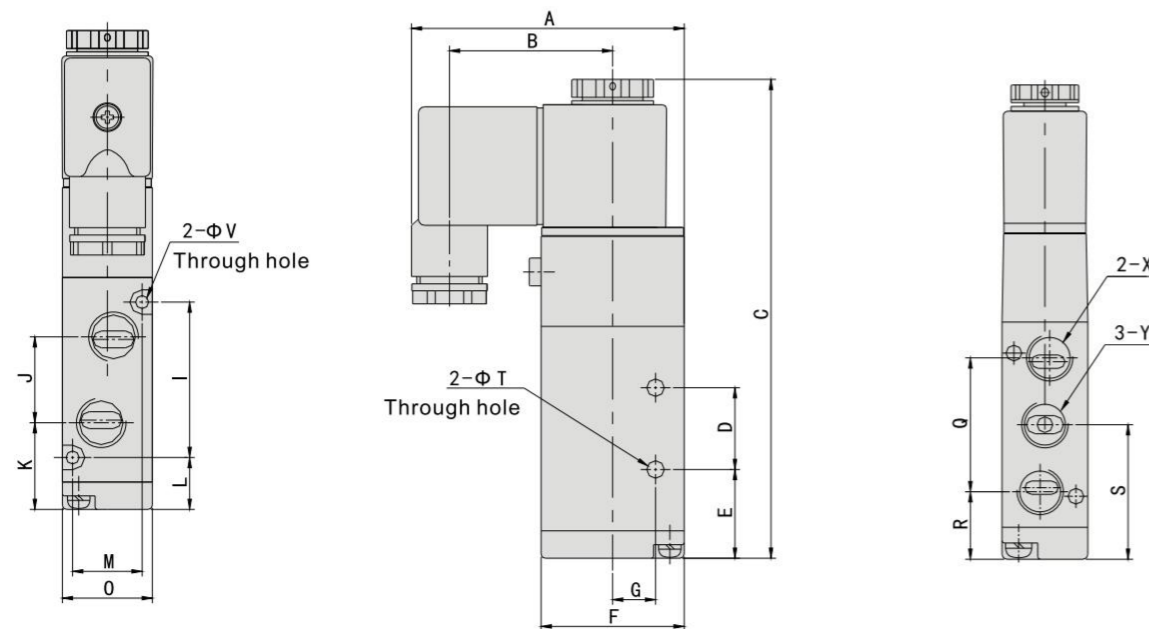


4S Series Solenoid Valve

Specifications 4S Series Solenoid Valve(2 Position 5 Port Single Control)

Model	4S110-06	4S210-08	4S310-10	4S410-15
Working Medium	Clean air(40µm Filtration)			
Acting Type	Internal Guide			
Joint Size	Import=1/8 Export=1/8 Exhaust=1/8	Import=1/4 Export=1/4 Exhaust=1/8	Import=3/8 Export=3/8 Exhaust=1/4	Import=1/2 Export=1/2 Exhaust=1/2
Sectional Area	18mm <sup>2</sup>	18mm <sup>2</sup>	50mm <sup>2</sup>	50mm <sup>2</sup>
Flow	799NI/min	799NI/min	1554NI/min	2220NI/min
Working Pressure	0.2~0.8Mpa			
Max.Pressure	1.2Mpa			
Working Temperature	-5~60°C			
Voltage Range	-15%~10%			
Heat Resistant Grade	B			
Protective Class	IP65(DIN40050)			
Coil Type	Din type, Flying leads			
Max.Acting Frequency	5Times/S		4Times/S	3Times/S

Main Dimensions



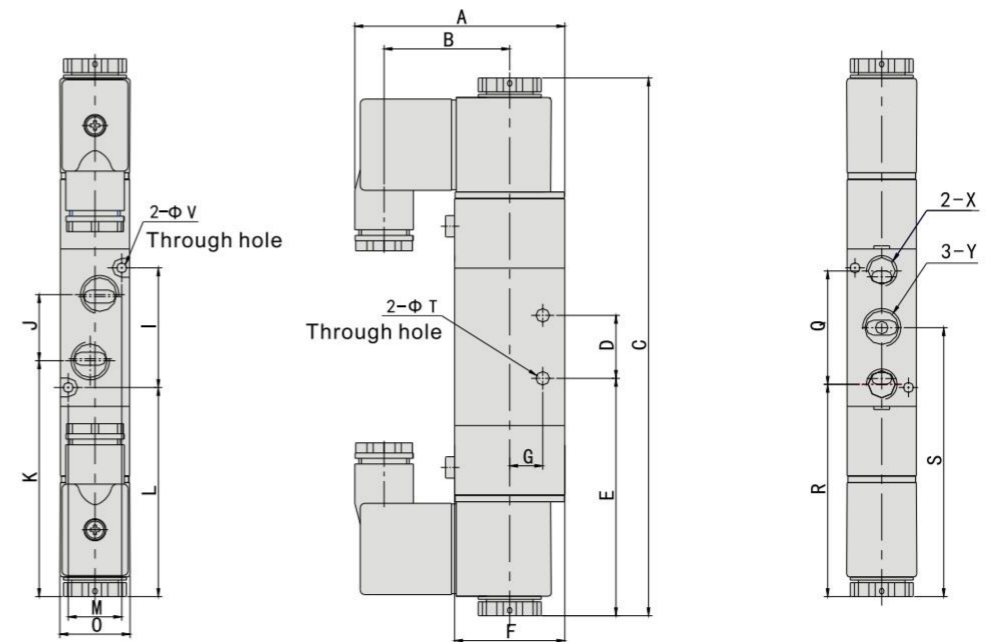
Model	Sign	A	B	C	D	E	F	G	K	I	J	L	M	O	S	Q	R	ΦV	ΦT	X	Y
4S110-06		55	34	99.4	14	21.2	27	9.5	20.2	30	16	13.2	13	18	28.2	28	14.2	3.3	3.3	1/8"	1/8"
4S210-08		66.7	40	117	20	21.7	35	10.5	21.2	38	21	12.7	17	22	31.7	36	13.7	3.2	4.3	1/8"	1/4"
4S310-10		69.2	40	135	24	28	40	13.5	28	50	24	15	20	27	40	45	17.5	4.3	4.3	1/4"	3/8"
4S410-15		74.2	40	168.4	28	43	50	17.5	39	72	36	21	27	34	57	63	25.5	4.3	5.5	1/2"	1/2"

4S Series Solenoid Valve

Specifications 4S Series Solenoid Valve(2 Position 5 Port Double Control)

Model	4S120-06	4S220-08	4S320-10	4S420-15
Working Medium	Clean air(40µm Filtration)			
Acting Type	Internal Guide			
Joint Size	Import=1/8 Export=1/8 Exhaust=1/8	Import=1/4 Export=1/4 Exhaust=1/8	Import=3/8 Export=3/8 Exhaust=1/4	Import=1/2 Export=1/2 Exhaust=1/2
Sectional Area	18mm <sup>2</sup>	18mm <sup>2</sup>	50mm <sup>2</sup>	50mm <sup>2</sup>
Flow	799NI/min	799NI/min	1554NI/min	2220NI/min
Working Pressure	0.2~0.8Mpa			
Max.Pressure	1.2Mpa			
Working Temperature	-5~60°C			
Voltage Range	-15%~10%			
Heat Resistant Grade	B			
Protective Class	IP65(DIN40050)			
Coil Type	Din type, Flying leads			
Max.Acting Frequency	5Times/S		4Times/S	3Times/S

Main Dimensions



Model	Sign	A	B	C	D	E	F	G	K	I	J	L	M	O	S	Q	R	ΦV	ΦT	X	Y
4S120-06		55	34	142.4	14	64.2	27	9.5	63.2	30	16	56.2	13	18	71.2	28	57.2	3.3	3.3	1/8"	1/8"
4S220-08		66.7	40	171	20	75.4	35	10.5	74.9	38	21	66.4	17	22	85.4	36	67.4	3.2	4.3	1/8"	1/4"
4S320-10		69.2	40	190	24	82.9	40	13.5	82.9	50	24	69.9	20	27	94.9	45	72.4	4.3	4.3	1/4"	3/8"
4S420-15		74.2	40	222.8	28	97.4	50	17.5	93.4	72	36	75.4	27	34	111.4	63	80	4.3	5.5	1/2"	1/2"

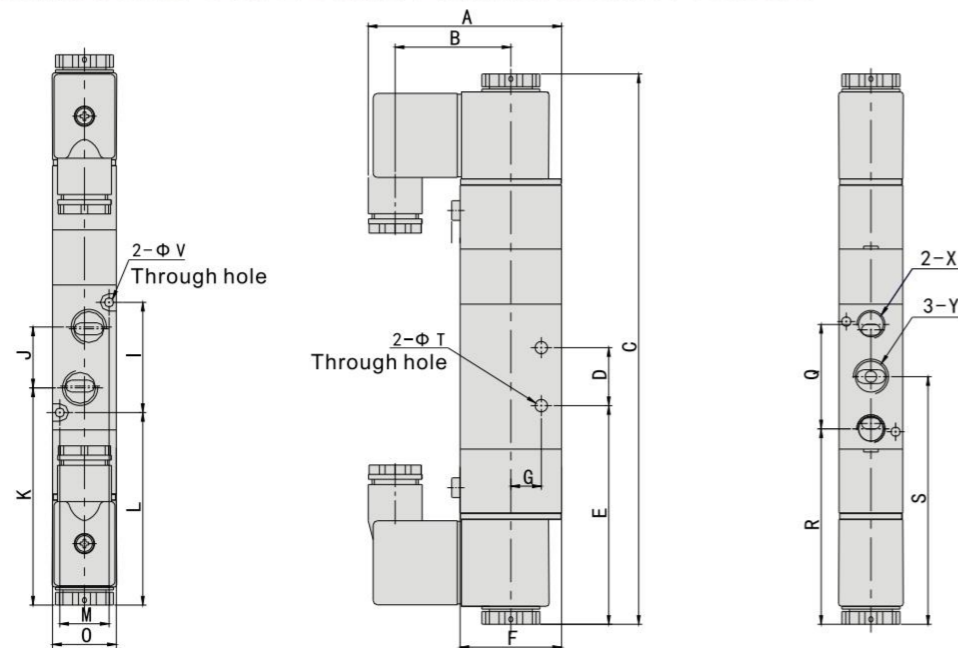


4S Series Solenoid Valve

Specifications 4S Series Solenoid Valve(3 Position 5 Port)

Model	4S130C-06	4S230C-08	4S330C-10	4S430C-15
	4S130E-06	4S230E-08	4S330E-10	4S430E-15
	4S130P-06	4S230P-08	4S330P-10	4S430P-15
Working Medium	Clean air(40µm Filtration)			
Acting Type	Internal Guide			
Joint Size	Import=1/8 Export=1/8 Exhaust=1/8	Import=1/4 Export=1/4 Exhaust=1/8	Import=3/8 Export=3/8 Exhaust=1/4	Import=1/2 Export=1/2 Exhaust=1/2
Sectional Area	16mm <sup>2</sup>	16mm <sup>2</sup>	25mm <sup>2</sup>	30mm <sup>2</sup>
Flow	710NI/min	710NI/min	1110NI/min	1332NI/min
Working Pressure	0.2~0.8Mpa			
Max.Pressure	1.2Mpa			
Working Temperature	-5~60°C			
Voltage Range	-15%~10%			
Heat Resistant Grade	B			
Protective Class	IP65(DIN40050)			
Coil Type	Din type, Flying leads			
Max.Acting Frequency	5Times/S		4Times/S	3Times/S

Main Dimensions:Center Close/Center Exhaust/Center Pressure

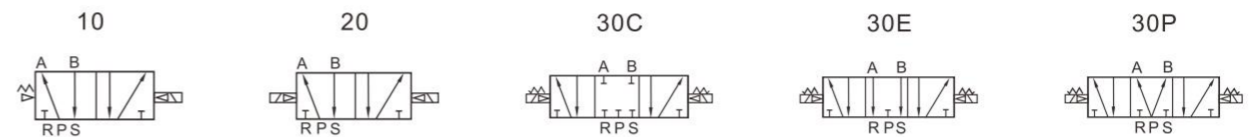


Model	Sign	A	B	C	D	E	F	G	K	I	J	L	M	O	S	Q	R	φV	φT	X	Y
4S130-06		55	34	157.4	14	64.2	27	9.5	63.2	30	16	56.2	13	18	71.2	28	57.2	3.3	3.3	1/8"	1/8"
4S230-08		66.7	40	190	20	75.4	35	10.5	74.9	38	21	66.4	17	22	85.4	36	67.4	3.2	4.3	1/8"	1/4"
4S330-10		69.2	40	209	24	82.9	40	13.5	82.9	50	24	69.9	20	27	95	45	72.4	4.3	4.3	1/4"	3/8"
4S430-15		74.2	40	243.8	28	97.4	50	17.5	93.4	72	36	75.4	27	34	111.4	63	79.9	4.3	5.5	1/2"	1/2"

4V Series Solenoid Valve

Product features:

- \* Stable life cycle, guaranteed 10,000,000 times;
- \* Various voltage and working style are available;
- \* Different surface treatment, thread types
- \* (G, NPT, PT, BSPP, BSPT) are available.



Ordering Code 4V Series Solenoid Valve

4 V	2	10	-	08	-	□	-	AC 220 V
Type Code	Series Code	Coil		Joint Size		Coil Type		Standard Voltage
4V: 5Port, 2Position	1:100 Series 2:200 Series 3:300 Series 4:400 Series	10:Single control 20:Double control		M5:M5 06:G1/8" 08:G1/4" 10:G3/8" 15:G1/2"		Blank: Din type I: Fly leads		DC12V DC24V AC24V 50/60Hz AC110V 50/60Hz AC220V 50/60Hz AC380V 50/60Hz
		30C:Double control 3Position Center Close 30E:Double control 3Position Center Exhaust 30P:Double control 3Position Center Pressure						

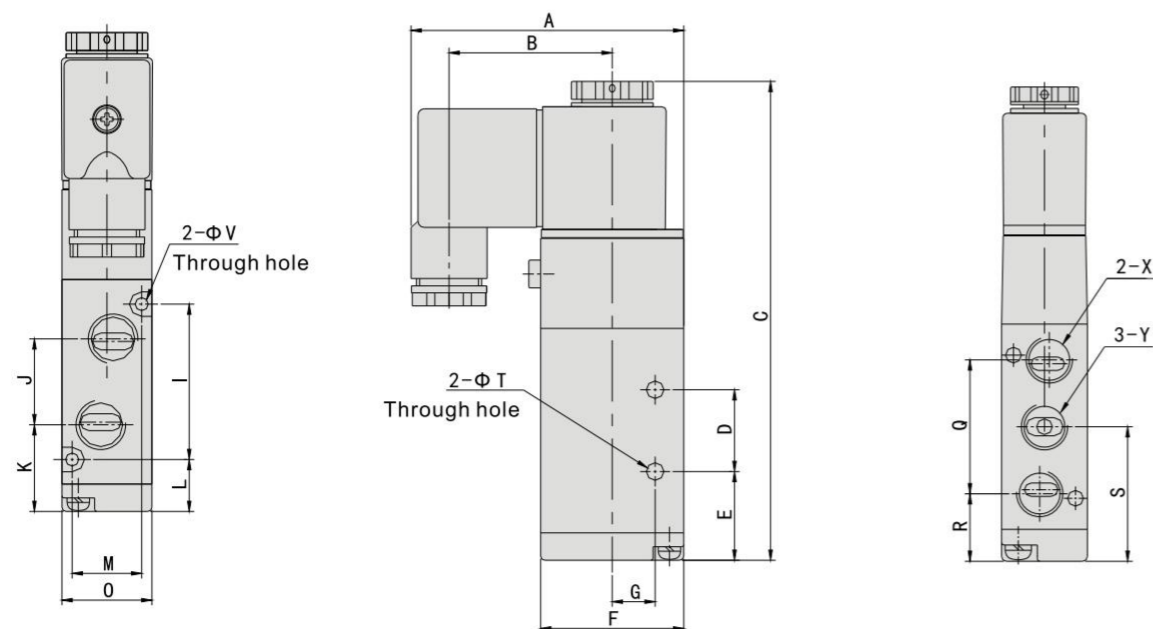


4V Series Solenoid Valve

Specifications 4V Series Solenoid Valve(2 Position 5 Port Single Control)

Model	4V110-M5	4V110-06	4V210-06	4V210-08	4V310-08	4V310-10	4V410-15
Working Medium	Clean air(40µm Filtration)						
Acting Type	Internal Guide						
Joint Size	Import=M5 Export=M5 Exhaust=M5	Import=1/8 Export=1/8 Exhaust=1/8	Import=1/8 Export=1/8 Exhaust=1/8	Import=1/4 Export=1/4 Exhaust=1/8	Import=1/4 Export=1/4 Exhaust=1/4	Import=3/8 Export=3/8 Exhaust=1/4	Import=1/2 Export=1/2 Exhaust=1/2
Sectional Area	5.5mm <sup>2</sup> (CV=0.31)	12mm <sup>2</sup> (CV=0.67)	14mm <sup>2</sup> (CV=0.78)	16mm <sup>2</sup> (CV=0.89)	25mm <sup>2</sup> (CV=1.39)	30mm <sup>2</sup> (CV=1.67)	50mm <sup>2</sup> (CV=2.79)
Working Pressure	0.15~0.9Mpa						
Max.Pressure	1.2Mpa						
Working Temperature	-5~60°C						
Voltage Range	-15%~10%						
Heat Resistant Grade	B						
Protective Class	IP65(DIN40050)						
Coil Type	Din type, Flying leads						
Max.Acting Frequency	5Times/S			4Times/S		3Times/S	

Main Dimensions



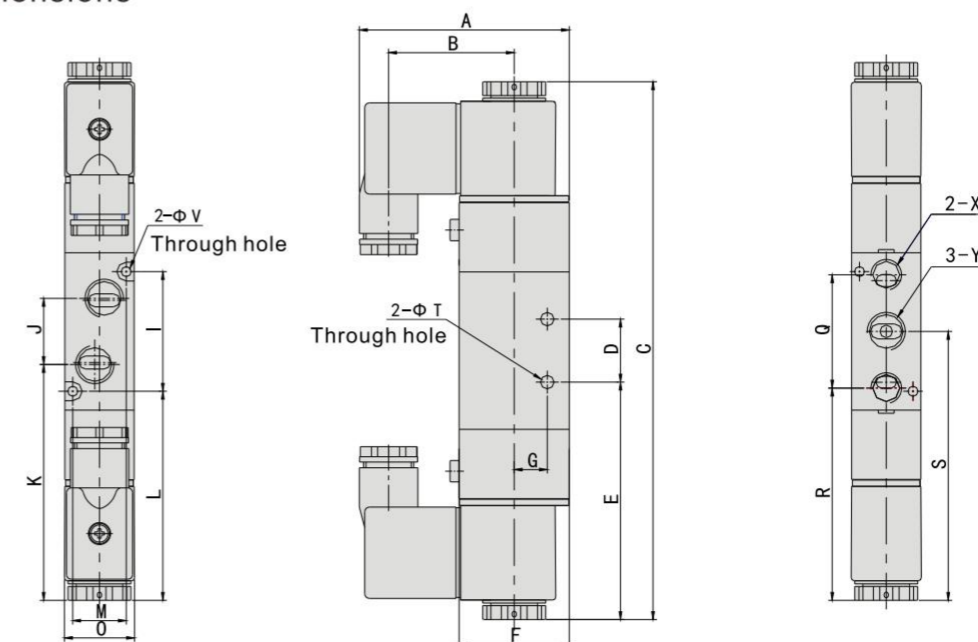
Model	Sign	A	B	C	D	E	F	G	K	I	J	L	M	O	S	Q	R	ΦV	ΦT	X	Y
4V110-M5		55	34	99.4	14	21.2	27	9.5	21.2	30	14	13.2	13	18	28.2	27	14.7	3.3	3.3	M5	M5
4V110-06		55	34	99.4	14	21.2	27	9.5	20.2	30	16	13.2	13	18	28.2	28	14.2	3.3	3.3	1/8"	1/8"
4V210-06		66.7	40	117	20	21.7	35	10.5	22.7	38	18	12.7	17	22	31.7	36	13.7	3.2	4.3	1/8"	1/8"
4V210-08		66.7	40	117	20	21.7	35	10.5	21.2	38	21	12.7	17	22	31.7	36	13.7	3.2	4.3	1/8"	1/4"
4V310-08		69.2	40	135	24	28	40	13.5	29	50	22	15	20	27	40	45	17.5	4.3	4.3	1/4"	1/4"
4V310-10		69.2	40	135	24	28	40	13.5	28	50	24	15	20	27	40	45	17.5	4.3	4.3	1/4"	3/8"
4V410-15		74.2	40	168.4	28	43	50	17.5	39	72	36	21	27	34	57	63	25.5	4.3	5.5	1/2"	1/2"

4V Series Solenoid Valve

Specifications 4V Series Solenoid Valve(2 Position 5 Port Double Control)

Model	4V120-M5	4V120-06	4V220-06	4V220-08	4V320-08	4V320-10	4V420-15
Working Medium	Clean air(40µm Filtration)						
Acting Type	Internal Guide						
Joint Size	Import=M5 Export=M5 Exhaust=M5	Import=1/8 Export=1/8 Exhaust=1/8	Import=1/8 Export=1/8 Exhaust=1/8	Import=1/4 Export=1/4 Exhaust=1/8	Import=1/4 Export=1/4 Exhaust=1/4	Import=3/8 Export=3/8 Exhaust=1/4	Import=1/2 Export=1/2 Exhaust=1/2
Sectional Area	5.5mm <sup>2</sup> (CV=0.31)	12mm <sup>2</sup> (CV=0.67)	14mm <sup>2</sup> (CV=0.78)	16mm <sup>2</sup> (CV=0.89)	25mm <sup>2</sup> (CV=1.39)	30mm <sup>2</sup> (CV=1.67)	50mm <sup>2</sup> (CV=2.79)
Working Pressure	0.15~0.9Mpa						
Max.Pressure	1.2Mpa						
Working Temperature	-5~60°C						
Voltage Range	-15%~10%						
Heat Resistant Grade	B						
Protective Class	IP65(DIN40050)						
Coil Type	Din type, Flying leads						
Max.Acting Frequency	5Times/S			4Times/S		3Times/S	

Main Dimensions



Model	Sign	A	B	C	D	E	F	G	K	I	J	L	M	O	S	Q	R	ΦV	ΦT	X	Y
4V120-M5		55	34	142.4	14	64.2	27	9.5	64.3	30	14	56.2	13	18	71.2	27	57.2	3.3	3.3	M5	M5
4V120-06		55	34	142.4	14	64.2	27	9.5	63.2	30	16	56.2	13	18	71.2	28	57.2	3.3	3.3	1/8"	1/8"
4V220-06		66.7	40	171	20	75.4	35	10.5	76.4	38	18	66.4	17	22	85.4	36	67.4	3.2	4.3	1/8"	1/8"
4V220-08		66.7	40	171	20	75.4	35	10.5	74.9	38	21	66.4	17	22	85.4	36	67.4	3.2	4.3	1/8"	1/4"
4V320-08		69.2	40	190	24	82.9	40	13.5	83.9	50	22	69.9	20	27	94.9	45	72.4	4.3	4.3	1/4"	1/4"
4V320-10		69.2	40	190	24	82.9	40	13.5	82.9	50	24	69.9	20	27	94.9	45	72.4	4.3	4.3	1/4"	3/8"
4V420-15		74.2	40	222.8	28	97.4	50	17.5	93.4	72	36	75.4	27	34	111.4	63	80	4.3	5.5	1/2"	1/2"



4V Series Solenoid Valve

Specifications 4V Series Solenoid Valve(3 Position 5 Port Center Close)

Model	4V130C-M5	4V130C-06	4V230C-06	4V230C-08	4V330C-08	4V330C-10	4V430C-15
Working Medium	Clean air(40µm Filtration)						
Acting Type	Internal Guide						
Joint Size	Import=M5 Export=M5 Exhaust=M5	Import=1/8 Export=1/8 Exhaust=1/8	Import=1/8 Export=1/8 Exhaust=1/8	Import=1/4 Export=1/4 Exhaust=1/8	Import=1/4 Export=1/4 Exhaust=1/4	Import=3/8 Export=3/8 Exhaust=1/4	Import=1/2 Export=1/2 Exhaust=1/2
Sectional Area	5mm <sup>2</sup> (CV=0.28)	9mm <sup>2</sup> (CV=0.50)	12mm <sup>2</sup> (CV=0.67)	12mm <sup>2</sup> (CV=0.67)	18mm <sup>2</sup> (CV=1.0)	18mm <sup>2</sup> (CV=1.0)	30mm <sup>2</sup> (CV=1.67)
Working Pressure	0.15~0.9Mpa						
Max.Pressure	1.2Mpa						
Working Temperature	-5~60°C						
Voltage Range	-15%~10%						
Heat Resistant Grade	B						
Protective Class	IP65(DIN40050)						
Coil Type	Din type、Flying leads						
Max.Acting Frequency	3Times/S						

Specifications 4V Series Solenoid Valve(3 Position 5 Port Center Exhaust)

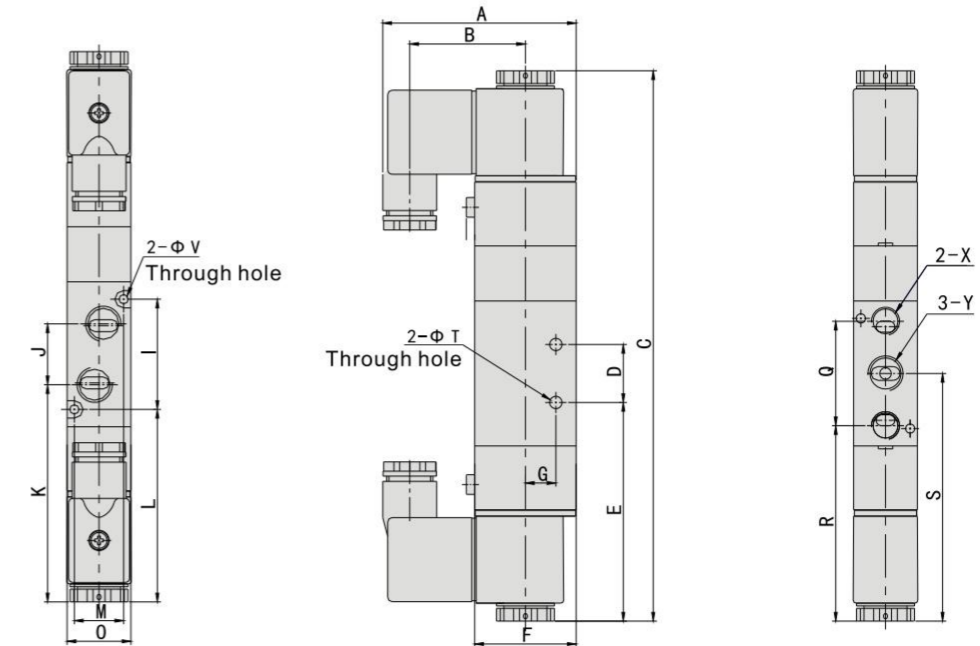
Model	4V130E-M5	4V130E-06	4V230E-06	4V230E-08	4V330E-08	4V330E-10	4V430E-15
Working Medium	Clean air(40µm Filtration)						
Acting Type	Internal Guide						
Joint Size	Import=M5 Export=M5 Exhaust=M5	Import=1/8 Export=1/8 Exhaust=1/8	Import=1/8 Export=1/8 Exhaust=1/8	Import=1/4 Export=1/4 Exhaust=1/8	Import=1/4 Export=1/4 Exhaust=1/4	Import=3/8 Export=3/8 Exhaust=1/4	Import=1/2 Export=1/2 Exhaust=1/2
Sectional Area	5mm <sup>2</sup> (CV=0.28)	12mm <sup>2</sup> (CV=0.50)	12mm <sup>2</sup> (CV=0.67)	12mm <sup>2</sup> (CV=0.67)	18mm <sup>2</sup> (CV=1.0)	18mm <sup>2</sup> (CV=1.0)	30mm <sup>2</sup> (CV=1.67)
Working Pressure	0.15~0.9Mpa						
Max.Pressure	1.2Mpa						
Working Temperature	-5~60°C						
Voltage Range	-15%~10%						
Heat Resistant Grade	B						
Protective Class	IP65(DIN40050)						
Coil Type	Din type、Flying leads						
Max.Acting Frequency	3Times/S						

4V Series Solenoid Valve

Specifications 4V Series Solenoid Valve(3 Position 5 Port Center Pressure)

Model	4V130P-M5	4V130P-06	4V230P-06	4V230P-08	4V330P-08	4V330P-10	4V430P-15
Working Medium	Clean air(40µm Filtration)						
Acting Type	Internal Guide						
Joint Size	Import=M5 Export=M5 Exhaust=M5	Import=1/8 Export=1/8 Exhaust=1/8	Import=1/8 Export=1/8 Exhaust=1/8	Import=1/4 Export=1/4 Exhaust=1/8	Import=1/4 Export=1/4 Exhaust=1/4	Import=3/8 Export=3/8 Exhaust=1/4	Import=1/2 Export=1/2 Exhaust=1/2
Sectional Area	5mm <sup>2</sup> (CV=0.28)	9mm <sup>2</sup> (CV=0.50)	12mm <sup>2</sup> (CV=0.67)	12mm <sup>2</sup> (CV=0.67)	18mm <sup>2</sup> (CV=1.0)	18mm <sup>2</sup> (CV=1.0)	30mm <sup>2</sup> (CV=1.67)
Working Pressure	0.15~0.9Mpa						
Max.Pressure	1.2Mpa						
Working Temperature	-5~60°C						
Voltage Range	-15%~10%						
Heat Resistant Grade	B						
Protective Class	IP65(DIN40050)						
Coil Type	Din type、Flying leads						
Max.Acting Frequency	3Times/S						

Main Dimensions:Center Close/Center Exhaust/Center Pressure



Model	Sign	A	B	C	D	E	F	G	K	I	J	L	M	O	S	Q	R	ΦV	ΦT	X	Y
4V130-M5		55	34	157.4	14	64.2	27	9.5	64.3	30	14	56.2	13	18	71.2	27	57.7	3.3	3.3	M5	M5
4V130-06		55	34	157.4	14	64.2	27	9.5	63.2	30	16	56.2	13	18	71.2	28	57.2	3.3	3.3	1/8"	1/8"
4V230-06		66.7	40	190	20	75.4	35	10.5	76.4	38	18	66.4	17	22	85.4	36	67.4	3.2	4.3	1/8"	1/8"
4V230-08		66.7	40	190	20	75.4	35	10.5	74.9	38	21	66.4	17	22	85.4	36	67.4	3.2	4.3	1/8"	1/4"
4V330-08		69.2	40	209	24	82.9	40	13.5	83.9	50	22	69.9	20	27	95	45	72.4	4.3	4.3	1/4"	1/4"
4V330-10		69.2	40	209	24	82.9	40	13.5	82.9	50	24	69.9	20	27	95	45	72.4	4.3	4.3	1/4"	3/8"
4V430-15		74.2	40	243.8	28	97.4	50	17.5	93.4	72	36	75.4	27	34	111.4	63	79.9	4.3	5.5	1/2"	1/2"



V Series Manifold

Ordering Code V Series Manifold

100M - 5 F

Type Code      Stations No      Manifold

100M: 1/8" valve body  
200M: 1/4" valve body  
300M: 3/8" valve body  
400M: 1/2" valve body



Ordering Code Blind plate

100M - B

Type Code      Blind plate

100M: 1/8" valve body  
200M: 1/4" valve body  
300M: 3/8" valve body  
400M: 1/2" valve body



Specifications

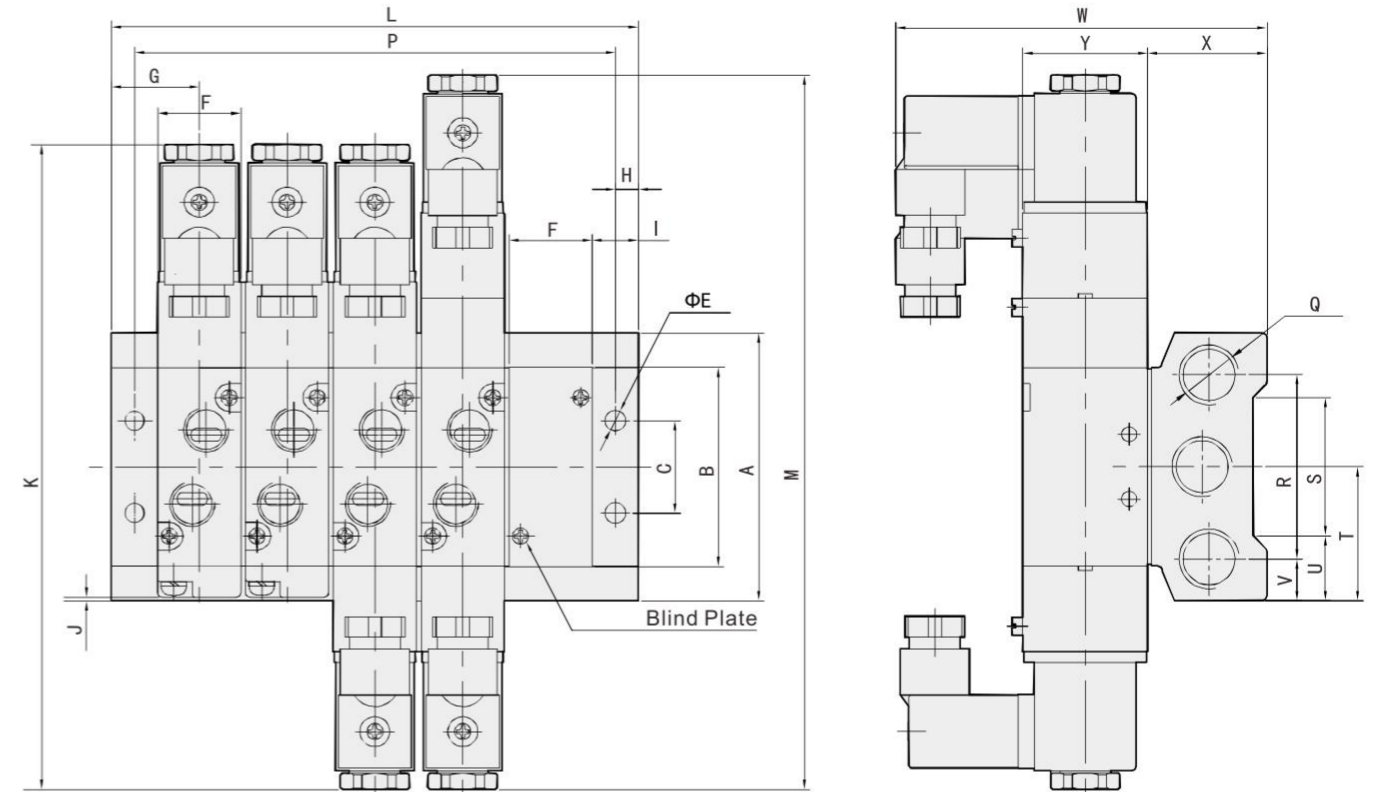
Model	100 Series	200 Series	300 Series	400 Series
Working Medium	Clean air(40µm Filtration)			
Working Pressure	0.15~0.9Mpa			
Max. Pressure	1.5Mpa			
Working Temperature	-20~70°C			
Application Scope	4V100 Series 4A100 Series	4V200 Series 4A200 Series	4V300 Series 4A300 Series	4V400 Series 4A400 Series

Corresponding Application

Valve Model	4V110 / 4V120 / 4V130 4A110 / 4A120 / 4V130	4V210 / 4V220 / 4V230 4A210 / 4A220 / 4V230	4V310 / 4V320 / 4V330 4A310 / 4A320 / 4V330	4V410 / 4V420 / 4V430 4A410 / 4A420 / 4V430
Manifold Model	100M-NF(N≤16)	200M-NF(N≤16)	300M-NF(N≤12)	400M-NF(N≤7)

V Series Manifold

Main Dimensions



Model	A	B	C	E	F	G	H	I	J	K
100M-□F	58	43.2	20	4.5	18.3	19	5	10	-0.8	139.4
200M-□F	61	50.7	21	4.5	22.4	23	6	12	1.2	170
300M-□F	75	64.8	26	4.5	27.3	27	6	13.5	2.5	188.8
400M-□F	104	94.5	32	4.5	34.3	31.5	7	14.5	5	221.8

Model	M	Q	R	S	T	U	V	W	X	Y
100M-□F	154.5	G1/4"	40	30	29	14	9	79	25	27
200M-□F	189	G1/4"	43	32	30.5	14.5	9	93	26	35
300M-□F	208	G3/8"	53	48	37.5	13.5	11	99.5	30	40
400M-□F	243	G1/2"	68	67	52	18.5	18	112.5	38	50

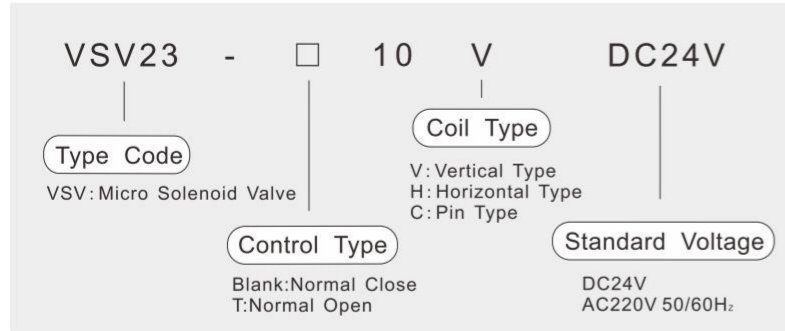
Model	L															
	1F	2F	3F	4F	5F	6F	7F	8F	9F	10F	11F	12F	13F	14F	15F	16F
100M-□F	38	57	76	95	114	133	152	171	190	209	228	247	266	285	304	323
200M-□F	46	69	92	115	138	161	184	207	230	253	276	299	322	345	368	391
300M-□F	54	82	110	138	166	194	222	250	278	306	334	362	-	-	-	-
400M-□F	63	98	133	168	203	238	273	-	-	-	-	-	-	-	-	-

Model	P															
	1F	2F	3F	4F	5F	6F	7F	8F	9F	10F	11F	12F	13F	14F	15F	16F
100M-□F	28	47	66	85	104	123	142	161	180	199	218	237	256	275	294	313
200M-□F	34	57	80	103	126	149	172	195	218	241	264	287	310	333	356	379
300M-□F	42	70	98	126	154	182	210	238	266	294	322	350	-	-	-	-
400M-□F	49	84	119	154	189	225	259	-	-	-	-	-	-	-	-	-



VSV Series Micro Solenoid Valve

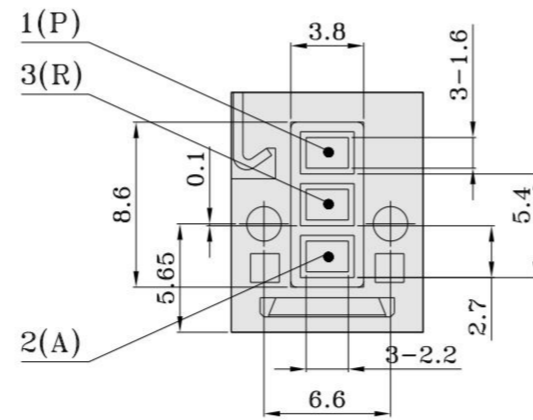
Ordering Code VSV Series Micro Solenoid Valve



Specifications

Model	VSV10-V	VSV10-H	VSV10-C
Working Medium	Clean Air(40µm filtration)		
Acting Type	3/2 N.C 3/2N.O		
Working Pressure	0~0.7Mpa		
Ambient Temp.	-5~50°C		
Orifice Size	1.0mm ( R port ) / 0.75mm ( P port )		
Lubrication	No		
Flow rate at 6bar and Δp=1bar	P1→P2 16NL/min P2→P3 23NL/min		
Response time	Less than 10ms		
Nominal voltage	DC24V/AC220v		
Voltage Range	Rated Voltage: ±10%		
Duty cycle	ED 100%		
Max Working Frequency	30HZ		
Insulation Class	H Class		
Degree of protection	IP50		
Life time expectancy	More than 50 millions times		
Coil Type	Vertical Type	Horizontal Type	Pin Type

Installation Dimensions

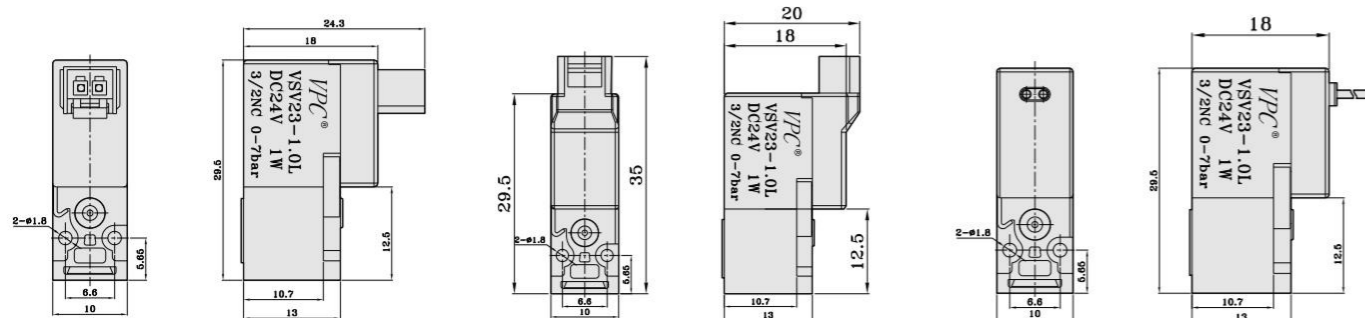


Main Specification

Vertical Type

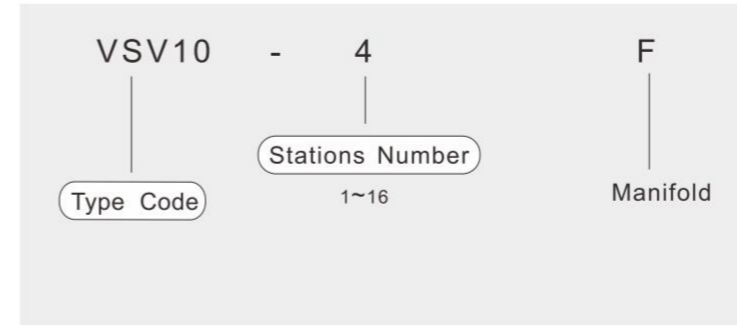
Horizontal Type

Pin Type



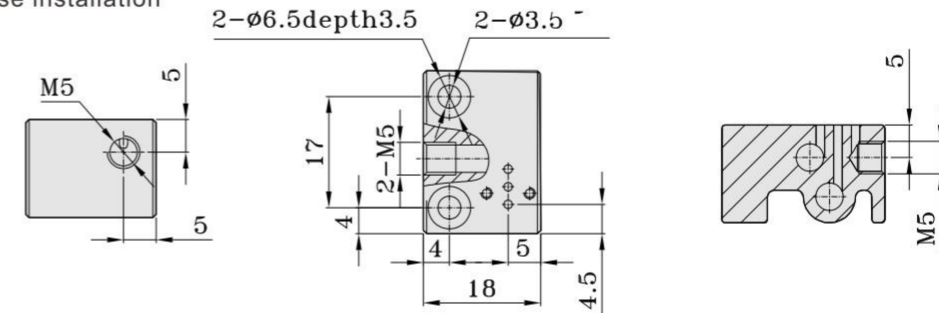
VSV Series Micro Solenoid Valve Combination

Ordering Code VSV Series Micro Solenoid Valve Combination

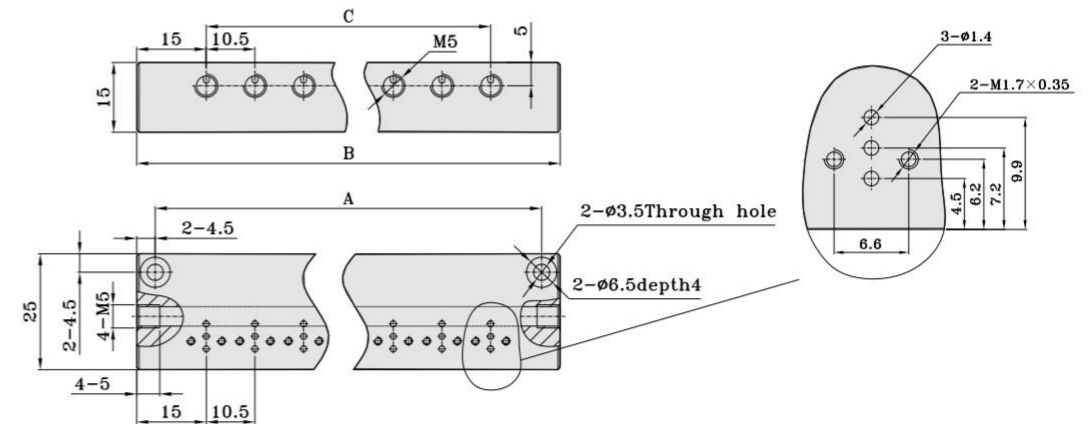


Main Specification

1 Station Base installation



Multi-Station Base installation



Model	A										
	2F	3F	4F	5F	6F	7F	8F	9F	10F	11F	NF
VSV10-□F	32.5	43	53.5	64	74.5	85	95.5	106	116.5	127	22+(N-1)x10.5

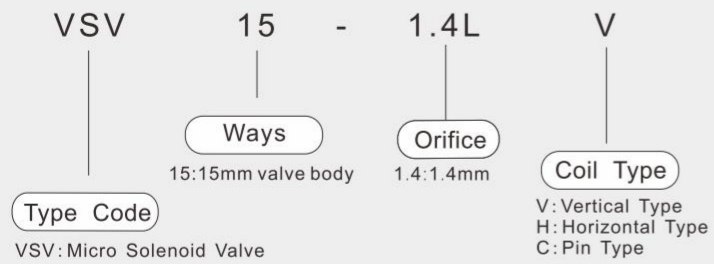
Model	B										
	2F	3F	4F	5F	6F	7F	8F	9F	10F	11F	NF
VSV10-□F	40.5	51	61.5	72	82.5	93	103.5	114	124.5	135	30+(N-1)x10.5

Model	C										
	2F	3F	4F	5F	6F	7F	8F	9F	10F	11F	NF
VSV10-□F	32.5	43	53.5	64	74.5	85	95.5	106	116.5	127	(N-1)x10.5



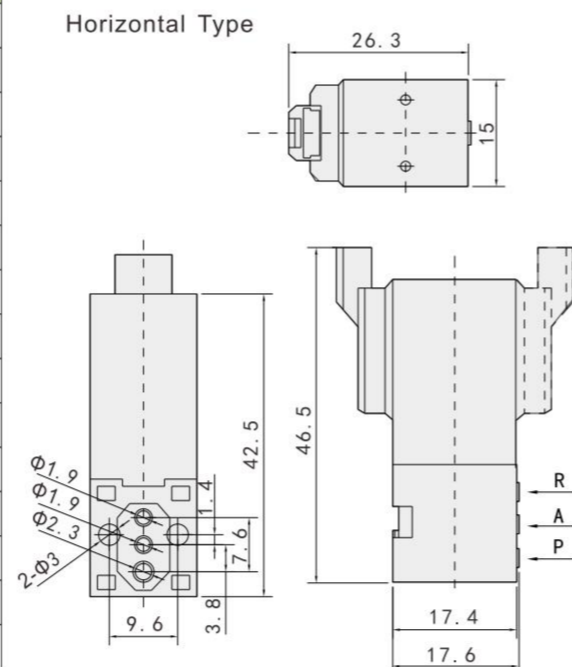
### VSV Series Micro Solenoid Valve

Ordering Code VSV Series Micro Solenoid Valve

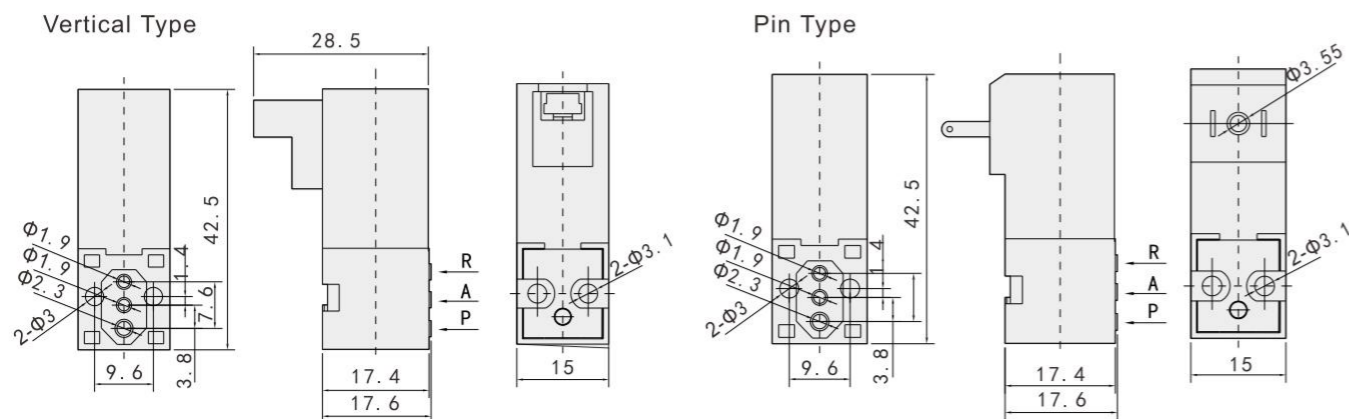


### Specifications

Model	VSV15-1.4LV	VSV15-1.4LH	VSV15-1.4LC
Working Medium	Clean Air(40µm filtration)		
Acting Type	Normal Close Direction Type		
Working Pressure	0~0.7Mpa		
Ambient Temp.	-5~50°C		
Reflect Time	≤20m/s		
Max Working Frequency	20Times/S		
Manual Mode	Button Type		
Lubrication	No		
Heat-resistant Class	F Class		
Protective Class	IP65		
Rated Voltage	DC24V		
Voltage Range	Rated Voltage:±10%		
Orifice	1.4mm		
Power	2.3W (With LED)		
Coil Type	Vertical Type	Horizontal Type	Pin Type

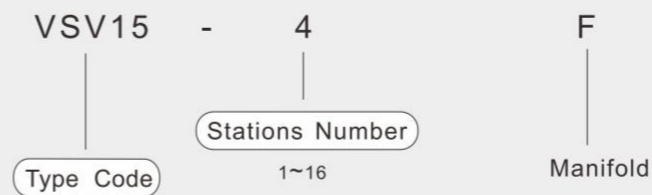


### Main Specification

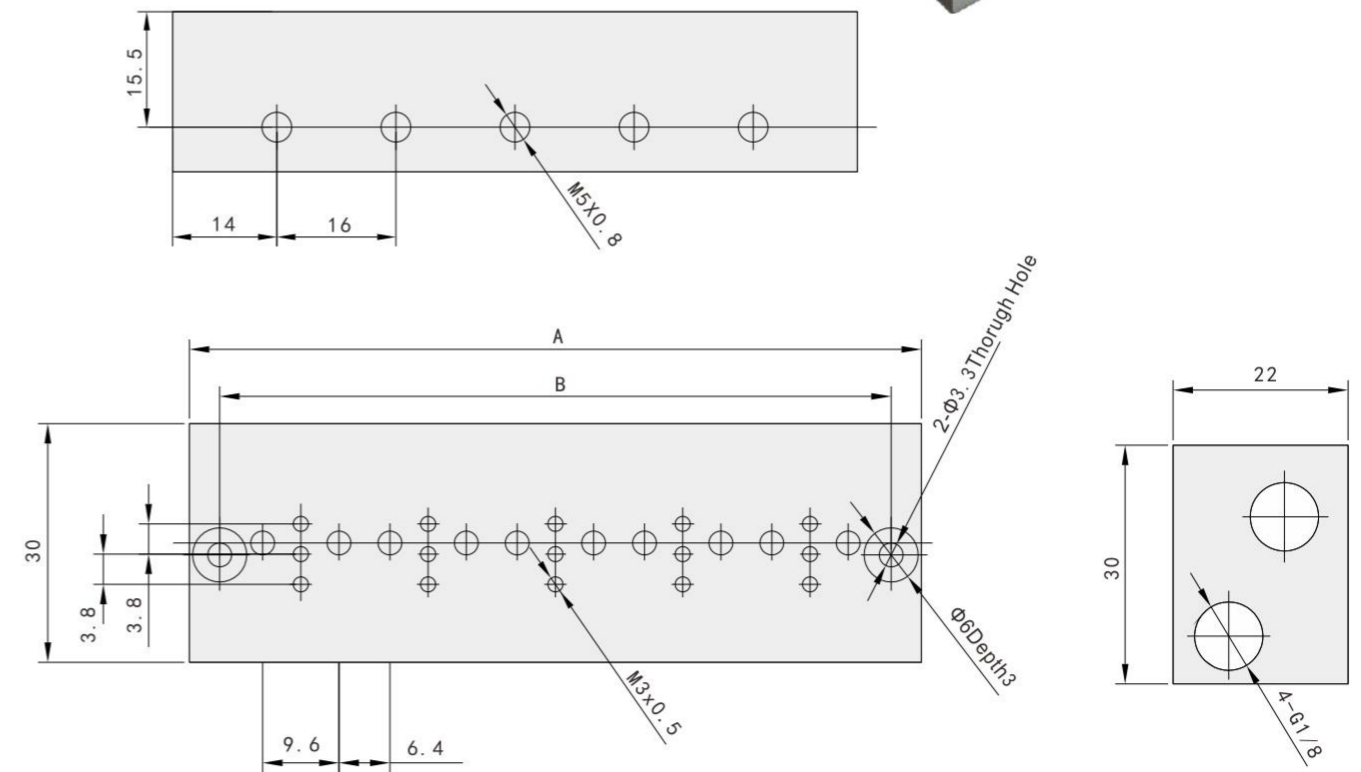


### VSV Series Micro Solenoid Valve Combination

Ordering Code VSV Series Micro Solenoid Valve Combination



### Main Specification

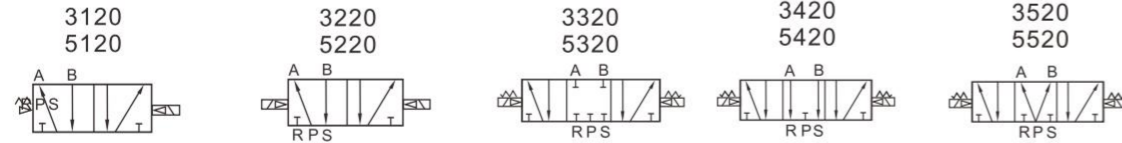


Model	A									
	1F	2F	3F	4F	5F	6F	7F	8F	9F	10F
VSV15-□F	28	44	60	76	92	108	124	140	156	172

Model	B									
	1F	2F	3F	4F	5F	6F	7F	8F	9F	10F
VSV15-□F	21	37	53	69	85	101	117	133	149	165



SY Series Solenoid Valve



Ordering Code

II

SY 3 1 20 □ - M 5 - DC 24 V

Type Code: SY3:SY3 series, SY5:SY5 series, SY7:SY7 series, SY9:SY9 series

Series Code: 1:Single control, 2:Double control, 3:Double control 3Position Center Close, 4:Double control 3Position Center Exhaust, 5:Double control 3Position Center Pressure

Coil: L: Vertical Type, M: Horizontal Type, G: Pin Type

Joint Size: M5: M5X0.8, 01: 1/8"

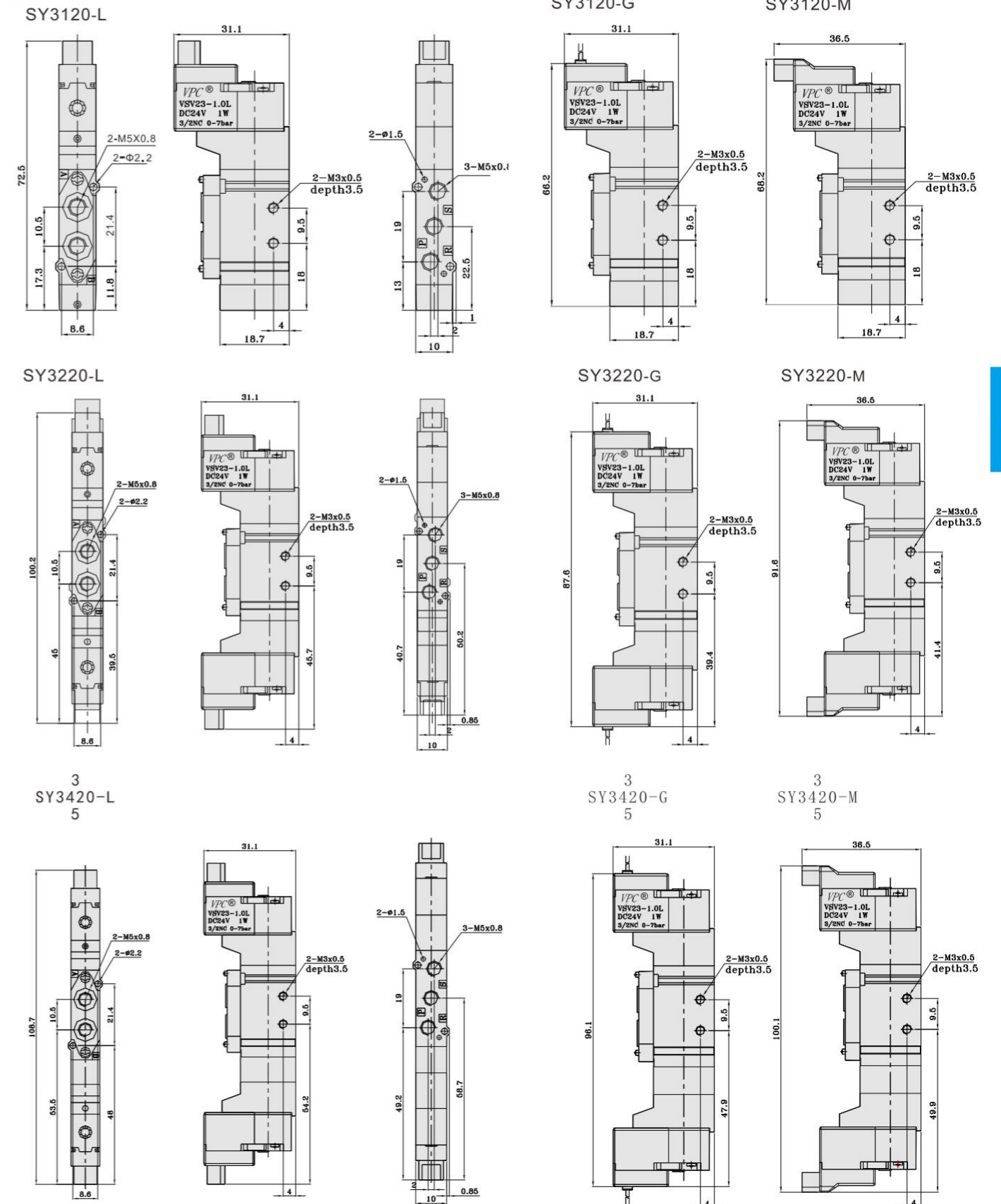
Standard Voltage: DC24V, AC220V 50/60Hz

Specifications

Model	SY3120	SY3220	SY3320 SY3420 SY3520	SY5120	SY5220	SY5320 SY5420 SY5520
Working Medium	Clean air(40µm Filtration)					
Working Pressure	0.15~0.7Mpa	0.1~0.7Mpa	0.2~0.7Mpa	0.15~0.7Mpa	0.1~0.7Mpa	0.2~0.7Mpa
Working Temperature	-10~60°C					
Max operating frequency	10Hz	10Hz	3Hz	5Hz	5Hz	3Hz
Response time	<12ms	<12ms	<15ms	<19ms	<19ms	<32ms
Exhaust Way	Centralized exhaust					
Lubrication	Not necessary					
Installation type	Free					
Impact Resistance Vibration Resistance	150/30m/s <sup>2</sup>					
Protective Class	IP65					
Joint Size	M5			1/8"		

SY Series Solenoid Valve

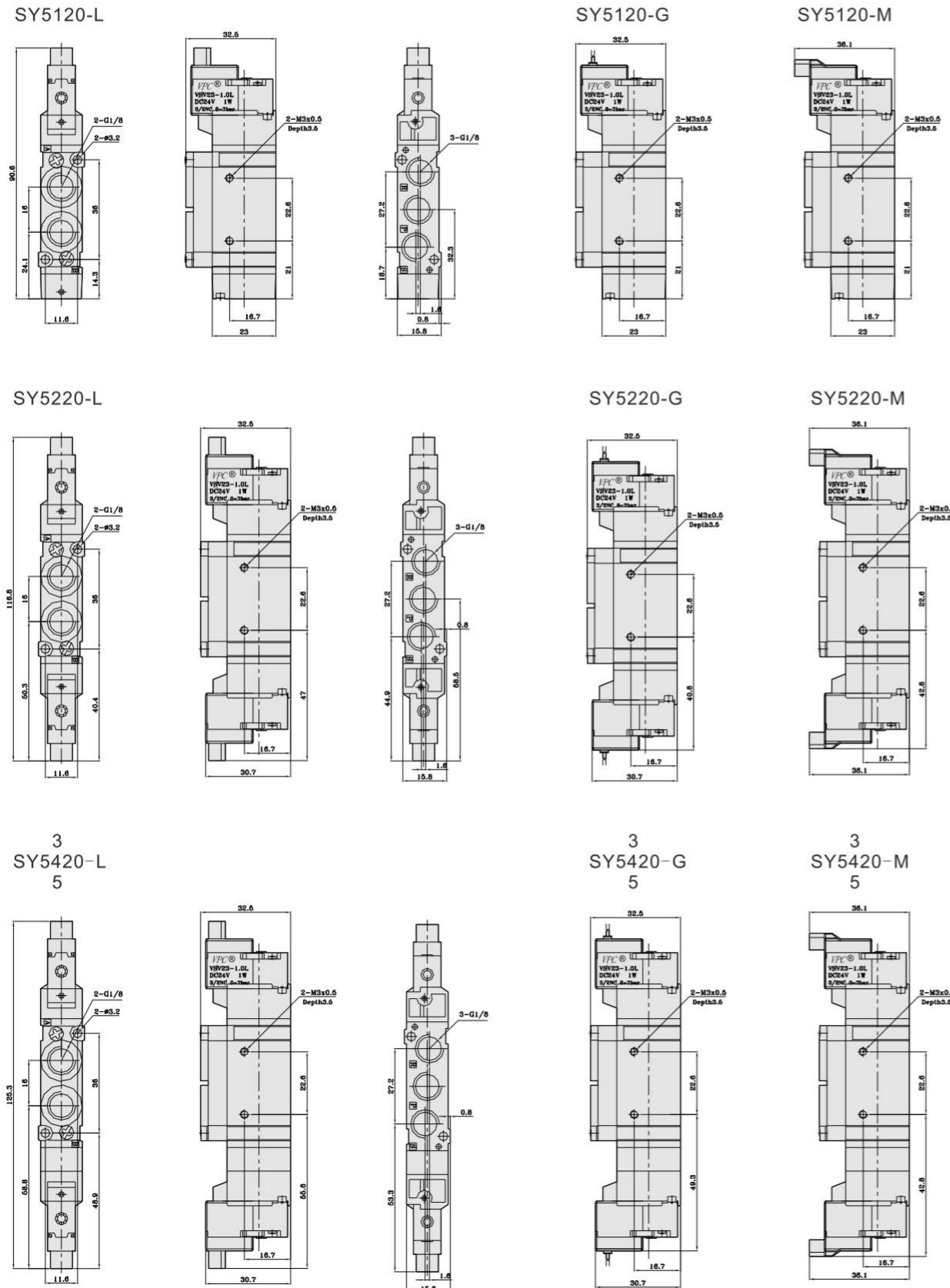
Main Dimensions





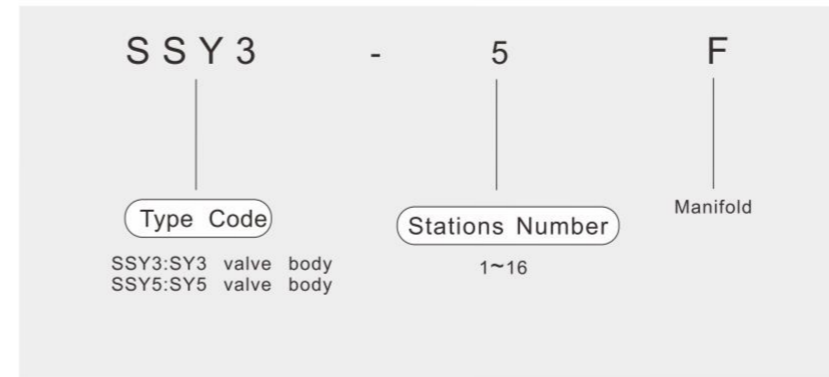
SY Series Solenoid Valve

Main Dimensions

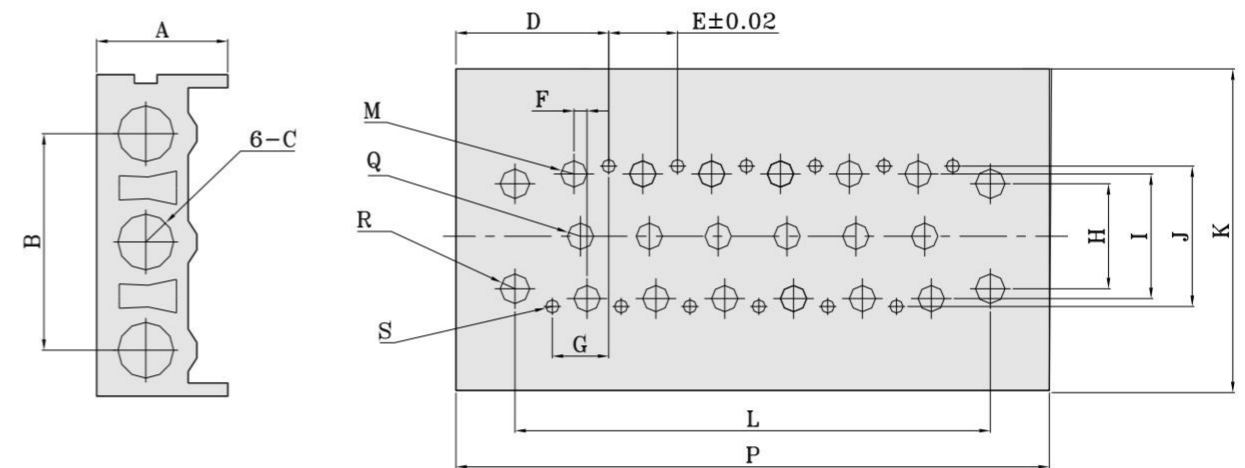


SY Series Manifold

Ordering Code SY Series Manifold



Main Dimensions



Model	A	B	C	E	F	G	H	I	J	K
SSY3-□F	20	33	RC1/8"	23.3	10.5	8.6	16	19	21.4	49
SSY5-□F	26.5	42	RC1/4"	22.8	16	11.6	20	29.4	36	60

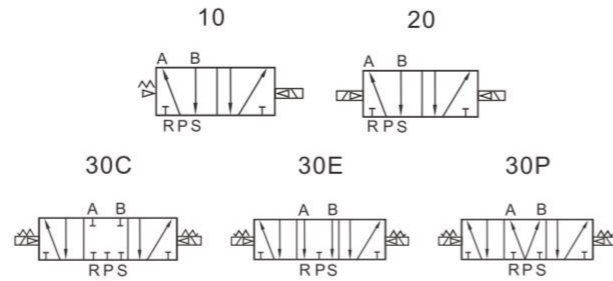
Model	M	Q	R	S
SSY3-□F	2-φ4.5 through hole	φ4.5 through hole	4-φ4.5 through hole	M2x0.4 depth 4.5
SSY5-□F	2-φ6 depth 15	φ6 depth 10	4-φ4.5 through hole	M3x0.5 depth 6.5

Model	L															
	1F	2F	3F	4F	5F	6F	7F	8F	9F	10F	11F	12F	13F	14F	15F	16F
SSY3-□F	20	30.5	41	51.5	62	72.5	83	93.5	104	114.5	125	135.5	146	156.5	167	177.5
SSY5-□F	24	40	56	72	88	104	120	136	152	168	184	200	216	232	248	264

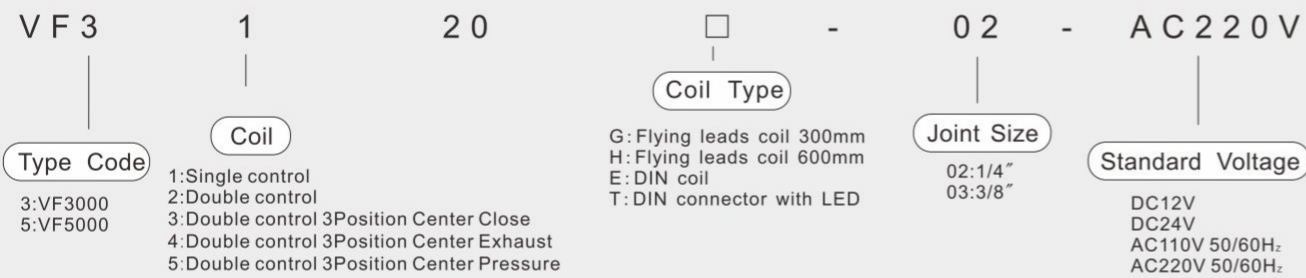
Model	P															
	1F	2F	3F	4F	5F	6F	7F	8F	9F	10F	11F	12F	13F	14F	15F	16F
SSY3-□F	38	48.5	59	69.5	80	90.5	101	111.5	122	132.5	143	153.5	164	174.5	185	195.5
SSY5-□F	34	50	66	82	98	114	130	146	162	178	194	210	226	242	258	274



VF Series Solenoid Valve

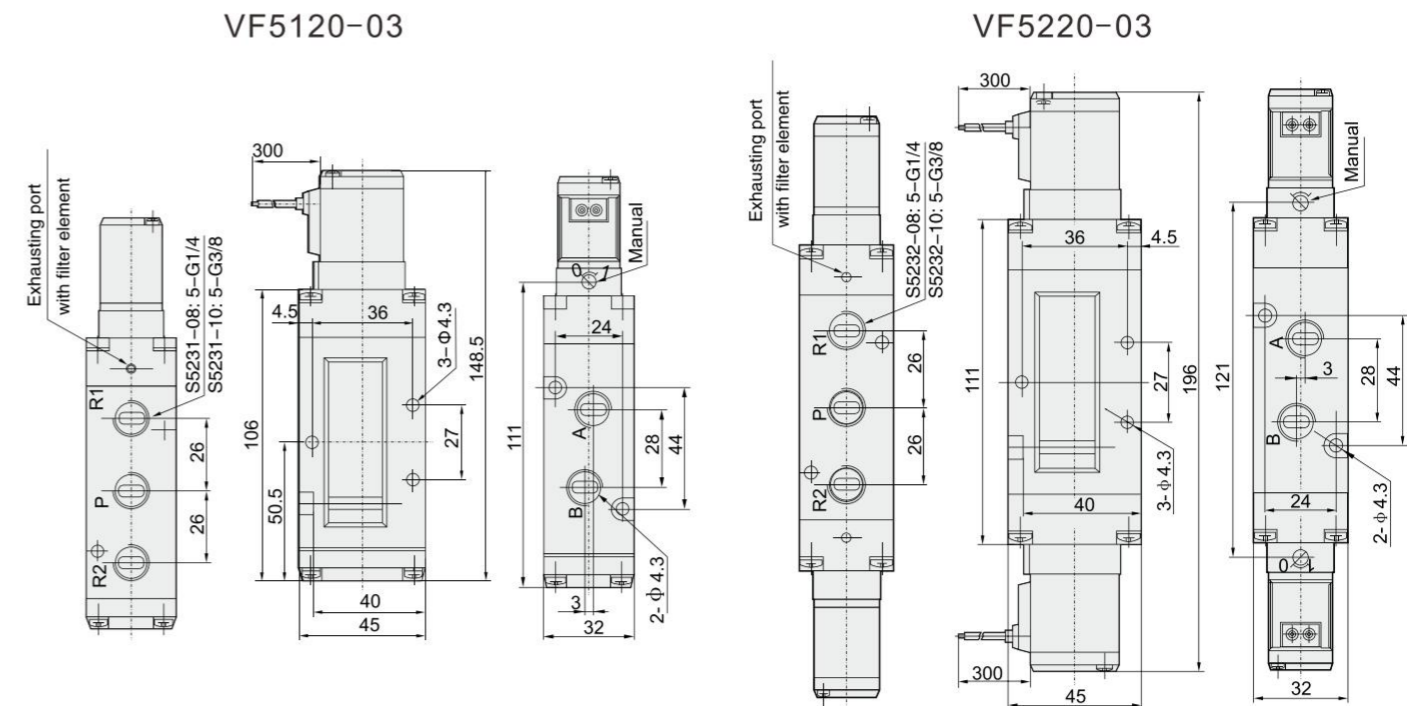
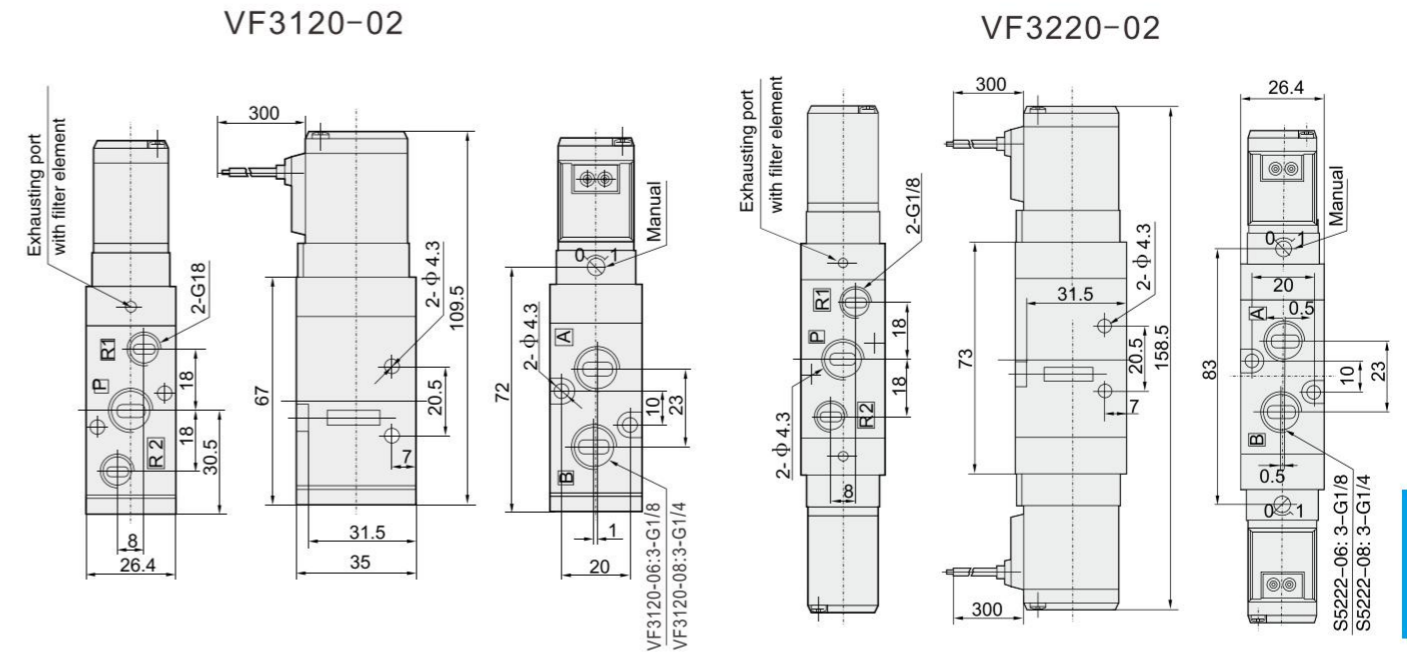


Ordering Code VF Series Solenoid Valve



VF Series Solenoid Valve

Main Dimensions



Product features:

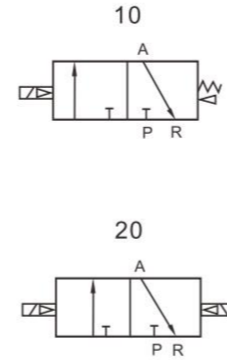
VF Series directional 5/2 way valve include pilot valve and air valve, the valve body from 1/4" to 3/8" with both flying leads type and DIN type coil, Installed on suitable manifold, many valves can working together.

Specifications

Working Medium	Clean air(40µm Filtration)
Acting type	Pilot type
Sectional area	17.1mm <sup>2</sup>
Working Pressure	0.15~0.8Mpa
Guaranteed pressure	1.2Mpa
Working Temperature	-10~60°C
Voltage Range	-15%~10%
Standard voltage	AC:110V,220V,DC:12V,24V
Insulation	Class F
Protective Class	IP65
Max. acting frequency	5 cycles/s
Activate time	<0.05
Seal	Anti-dust
Manual operation	Screwdriver locked type



3M Series Solenoid Valve



Ordering Code 3M Series Solenoid Valve(2 Position 3 Port)

3 M      2      10      -      08      -      □      -      AC 220 V

Type Code      Series Code      Coil      Joint Size      Coil Type      Standard Voltage

3M: 3Port, 2Position      1:100 Series  
2:200 Series  
3:300 Series  
4:400 Series      M5:M5  
06:G1/8"  
08:G1/4"  
10:G3/8"  
15:G1/2"      Blank: Din type  
I: Fly leads      DC12V  
DC24V  
AC24V 50/60Hz  
AC110V 50/60Hz  
AC220V 50/60Hz  
AC380V 50/60Hz

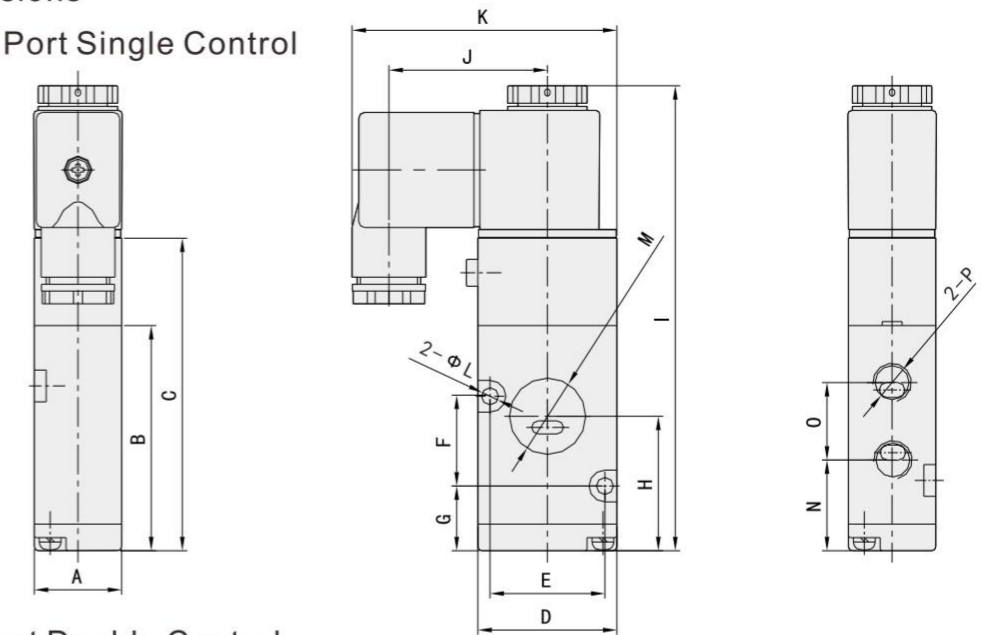
Specifications

Model	3M110-M5	3M110-06	3M210-06	3M210-08	3M310-08	3M310-10	3M410-10	3M410-15
	3M120-M5	3M120-06	3M220-06	3M220-08	3M320-08	3M320-10	3M420-10	3M420-15
Working Medium	Clean air(40µm Filtration)							
Acting Type	Internal Guide							
Joint Size	Import=M5 Export=M5	Import=1/8 Export=1/8	Import=1/8 Export=1/8	Import=1/4 Export=1/4	Import=1/4 Export=1/4	Import=3/8 Export=3/8	Import=3/8 Export=3/8	Import=1/2 Export=1/2
Sectional Area	5.5mm <sup>2</sup> (CV=0.31)	12mm <sup>2</sup> (CV=0.67)	14mm <sup>2</sup> (CV=0.78)	16mm <sup>2</sup> (CV=0.89)	25mm <sup>2</sup> (CV=1.4)	30mm <sup>2</sup> (CV=1.68)	30mm <sup>2</sup> (CV=1.68)	50mm <sup>2</sup> (CV=2.79)
Working Pressure	0.15~0.9Mpa							
Max. Pressure	1.2Mpa							
Working Temperature	-5~60°C							
Voltage Range	-15%~10%							
Heat Resistant Grade	B							
Protective Class	IP65(DIN40050)							
Coil Type	Din type, Flying leads							
Max. Acting Frequency	4Times/S							

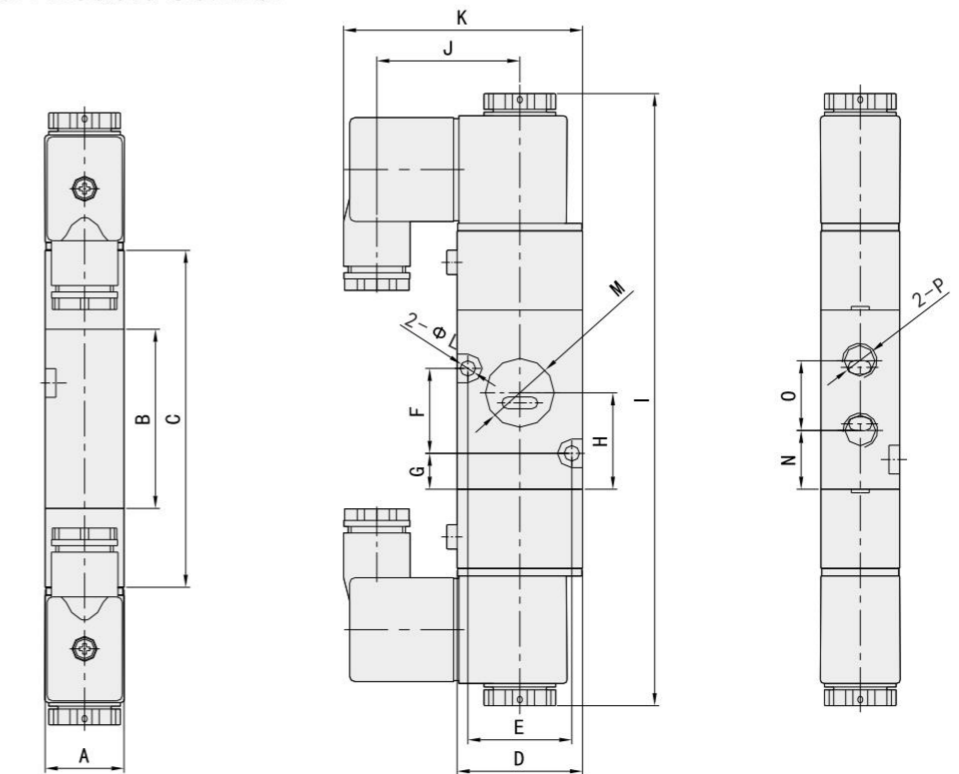
3M Series Solenoid Valve

Main Dimensions

2 Position 3 Port Single Control



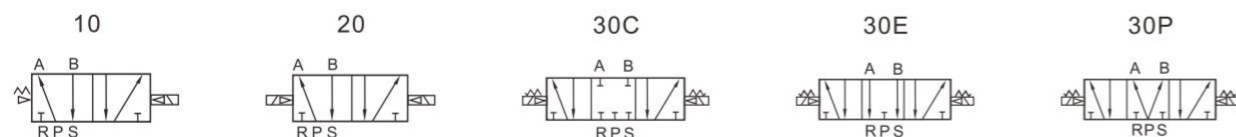
2 Position 3 Port Double Control



Model	Sign	A	B	C	D	E	F	G	H	I	J	K	L	M	N	O	P	
3M110-06		18	38	65	27	22	14	12.5	26.5	92	32.5	54	Φ3.3	Φ 13.6	Depth1.5	19.5	14	G1/8"
3M120-06		18	38	79	27	22	14	6	20	133	32.5	54	Φ3.3	Φ 13.6	Depth1.5	13	14	G1/8"
3M210-08		22	45	75.5	35	29	20	12	27.5	112	40.5	67.5	Φ4.3	Φ 17.6	Depth1.5	22	18	G1/4"
3M220-08		22	45	93	35	29	20	5.5	21	166	40.5	67.5	Φ4.3	Φ 17.6	Depth1.5	15.5	18	G1/4"
3M310-10		27	60	93.5	40	32	24	14	38	130	40.5	70	Φ5.2	Φ 19.5	Depth1.5	26.8	21.5	G3/8"
3M320-10		27	60	112	40	32	24	-	30.5	185	40.5	70	Φ5.2	Φ 19.5	Depth1.5	19.3	21.5	G3/8"
3M410-15		34	70	105	50	41	33	-	-	141	-	74.2	Φ6	Φ 21.8	Depth1.8	29.5	29.5	G1/2"
3M420-15		34	70	105	50	41	33	7.5	-	197	-	74.2	Φ6	Φ 21.8	Depth1.8	22	29.5	G1/2"



4M Series Solenoid Valve



Ordering Code 4M Series Solenoid Valve(2 Position 5 Port)

4 M      2      1 0      -      0 8      -      □      -      A C 2 2 0 V

**Type Code**      **Series Code**      **Coil**      **Joint Size**      **Coil Type**      **Standard Voltage**

4M: 5Port, 2Position      1:100 Series  
2:200 Series  
3:300 Series  
4:400 Series

10: Single control  
20: Double control  
30C: Double control 3Position Center Close  
30E: Double control 3Position Center Exhaust  
30P: Double control 3Position Center Pressure

M5: M5  
06: G1/8"  
08: G1/4"  
10: G3/8"  
15: G1/2"

Blank: Din type  
I: Fly leads

DC12V  
DC24V  
AC24V 50/60Hz  
AC110V 50/60Hz  
AC220V 50/60Hz  
AC380V 50/60Hz

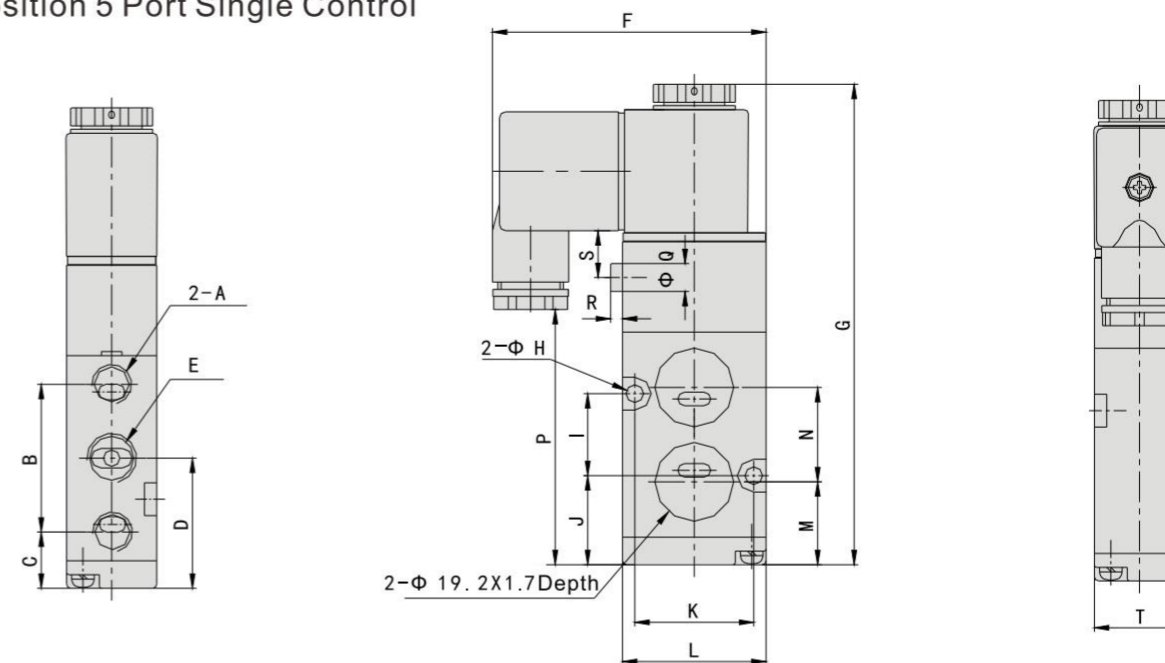
Specifications

Model	4M110-M5	4M110-06	4M210-06	4M210-08	4M310-08	4M310-10	4M410-10	4M410-15
	4M120-M5	4M120-06	4M220-06	4M220-08	4M320-08	4M320-10	4M420-10	4M420-15
Working Medium	Clean air(40µm Filtration)							
Acting Type	Internal Guide							
Joint Size	Import=M5 Export=M5	Import=1/8 Export=1/8	Import=1/8 Export=1/8	Import=1/4 Export=1/8	Import=1/4 Export=1/4	Import=1/4 Export=3/8	Import=3/8 Export=3/8	Import=1/2 Export=1/2
Sectional Area	5.5mm <sup>2</sup> (CV=0.31)	12mm <sup>2</sup> (CV=0.67)	14mm <sup>2</sup> (CV=0.78)	16mm <sup>2</sup> (CV=0.89)	25mm <sup>2</sup> (CV=1.4)	30mm <sup>2</sup> (CV=1.68)	30mm <sup>2</sup> (CV=1.68)	50mm <sup>2</sup> (CV=2.79)
Working Pressure	0.15~0.9Mpa							
Max.Pressure	1.2Mpa							
Working Temperature	-5~60°C							
Voltage Range	-15%~10%							
Heat Resistant Grade	B							
Protective Class	IP65(DIN40050)							
Coil Type	Din type, Flying leads							
Max.Acting Frequency	4Times/S							

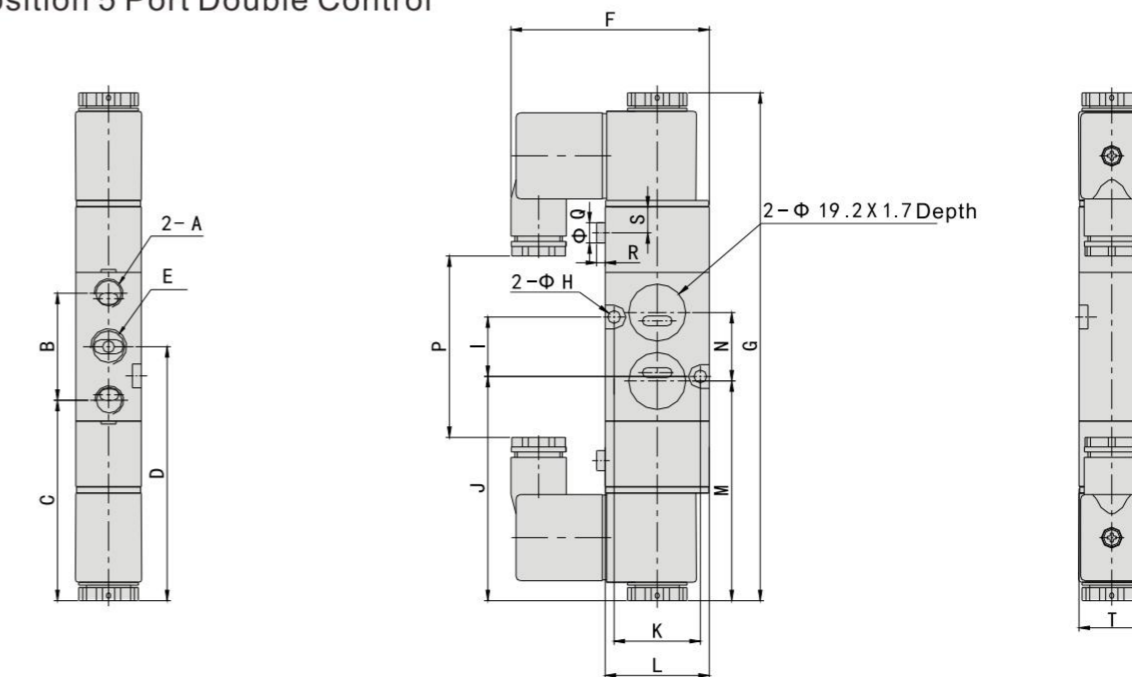
4M Series Solenoid Valve

Main Dimensions

2 Position 5 Port Single Control



2 Position 5 Port Double Control



Model	Sign	A	B	C	D	E	F	G	H	I	J	K	L	M	N	P	Q	R	S	T
4M110-06	G1/8	30	15.2	30.2	G1/8	55.0	103.4	3.3	16	27.2	21	27	-	16	-	-	-	-	-	-
4M120-06	G1/8	30	58.2	73.2	G1/8	55.0	146.4	3.3	16	65.0	21	27	-	16	-	-	-	-	-	-
4M210-08	G1/8	36	13.7	31.7	G1/4	66.5	119.0	4.3	20	21.7	29	35	20.2	23	62.4	4	1	11	22	
4M220-08	G1/8	36	67.0	85.0	G1/4	66.5	176.0	4.3	20	75.0	29	35	73.5	23	62.4	4	1	11	22	
4M310-10	G1/4	45	17.0	39.5	G3/8	69.0	138.0	5.2	24	27.5	32	40	29.0	22	80.2	4	1	11	27	
4M320-10	G1/4	45	72.0	94.5	G3/8	69.0	195.0	5.2	24	83.7	32	40	82.5	22	80.2	4	1	11	27	
4M410-15	G1/2	63	22.5	52.0	G1/2	75.0	166.0	5.5	32	38.0	42	50	35.5	37	110	4	1	11	34	
4M420-15	G1/2	63	77.0	112.5	G1/2	75.0	225.0	5.5	32	94.5	42	50	92.0	37	112	4	1	11	34	

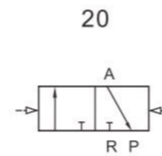
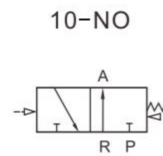
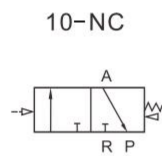


3A Series Air Control Valve



Product features:

- \* Stable life cycle, guaranteed 10,000,000 times;
- \* Various voltage and working style are available;
- \* Different surface treatment, thread types (G, NPT, PT, BSPP, BSPT) are available.



Ordering Code 3A Series Air Control Valve(2 Position 3 Port)

3 A      2      10      -      08      -      NO

Type Code      Series Code      Ways      Joint Size      Control Type

3A: 3Port, 2Position      1:100 Series  
2:200 Series  
3:300 Series  
4:400 Series

10:Single control  
20:Double control

M5:M5  
06:G1/8"  
08:G1/4"  
10:G3/8"  
15:G1/2"

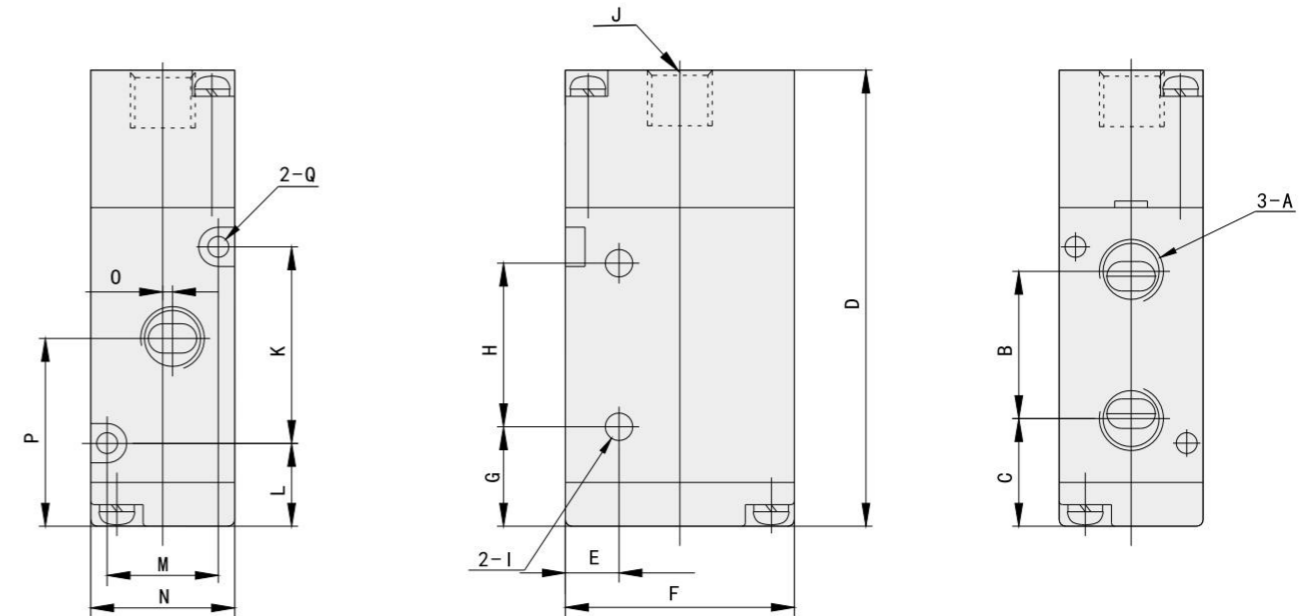
Blank: Normal Close  
NO: Normal Open

3A Series Air Control Valve

Specifications 3A Series Air Control Valve(2 Position 3 Port Single Control)

Model	3A110-M5	3A110-06	3A210-06	3A210-08	3A310-08	3A310-10	3A410-10	3A410-15
Working Medium	Clean air(40µm Filtration)							
Acting Type	Internal Guide							
Joint Size	Import=M5 Export=M5	Import=1/8 Export=1/8	Import=1/8 Export=1/8	Import=1/4 Export=1/4	Import=1/4 Export=1/4	Import=3/8 Export=3/8	Import=3/8 Export=3/8	Import=1/2 Export=1/2
Sectional Area	5.5mm <sup>2</sup> (CV=0.31)	12mm <sup>2</sup> (CV=0.67)	14mm <sup>2</sup> (CV=0.78)	16mm <sup>2</sup> (CV=0.89)	25mm <sup>2</sup> (CV=1.4)	30mm <sup>2</sup> (CV=1.68)	30mm <sup>2</sup> (CV=1.68)	50mm <sup>2</sup> (CV=2.79)
Working Pressure	0.15~0.8Mpa							
Max. Pressure	1.2Mpa							
Working Temperature	-5~60°C							
Ways	2 Position 3 Port							
Body Material	Aluminum							
Lubrication	No							
Max. Acting Frequency	5Times/S				4Times/S		3Times/S	

Main Dimensions



Model	Sign	A	B	C	D	E	F	G	H	I	J	K	L	M	N	O	P	Q
3A110-M5	M5x0.8	16	14	56.5	7.7	27	11.5	21	3.3	1/8	19	12.5	13	18	1	23	3.3	
3A110-06	1/8"	16	14	56.5	7.7	27	11.5	21	3.3	1/8	19	12.5	13	18	1	23	3.3	
3A210-06	1/8"	22.5	16	70	8	35	15	25	4.3	1/8	30	12.5	17	22	0	27.5	3.2	
3A210-08	1/4"	22.5	16	70	8	35	15	25	4.3	1/8	30	12.5	17	22	0	27.5	3.2	
3A310-08	1/4"	24	20.5	80.5	10.5	40	17.5	30	4.3	1/8	35	15	20	27	0	32.5	4.3	
3A310-10	3/8"	24	20.5	80.5	10.5	40	17.5	30	4.3	1/8	35	15	20	27	0	32.5	4.3	
3A410-10	3/8"	36	19.5	100.5	13.5	50	20	48	4.3	1/8	48	13.5	27	34	2	42.5	4.3	
3A410-15	1/2"	36	19.5	100.5	13.5	50	20	48	4.3	1/8	48	13.5	27	34	2	42.5	4.3	

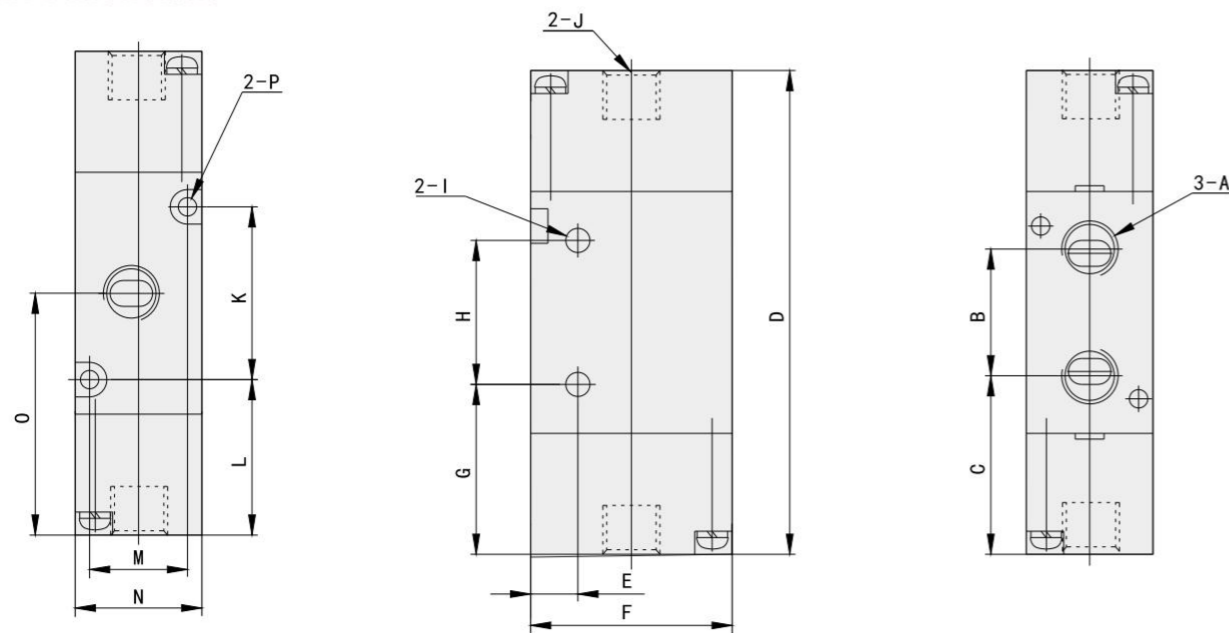


3A Series Air Control Valve

Specifications 3A Series Air Control Valve(2 Position3 Port Double Control)

Model	3A120-M5	3A120-06	3A220-06	3A220-08	3A320-08	3A320-10	3A420-10	3A420-15
Working Medium	Clean air(40µm Filtration)							
Acting Type	Internal Guide							
Joint Size	Import=M5 Export=M5	Import=1/8 Export=1/8	Import=1/8 Export=1/8	Import=1/4 Export=1/4	Import=1/4 Export=1/4	Import=3/8 Export=3/8	Import=3/8 Export=3/8	Import=1/2 Export=1/2
Sectional Area	5. 5mm <sup>2</sup> (CV=0.31)	12mm <sup>2</sup> (CV=0.67)	14mm <sup>2</sup> (CV=0.78)	16mm <sup>2</sup> (CV=0.89)	25mm <sup>2</sup> (CV=1. 4)	30mm <sup>2</sup> (CV=1.68)	30mm <sup>2</sup> (CV=1.68)	50mm <sup>2</sup> (CV=2.79)
Working Pressure	0.15~0.8Mpa							
Max.Pressure	1.2Mpa							
Working Temperature	-5~60°C							
Ways	2 Position3 Port							
Body Material	Aluminum							
Lubrication	No							
Max.Acting Frequency	5Times/S			4Times/S			3Times/S	

Main Dimensions

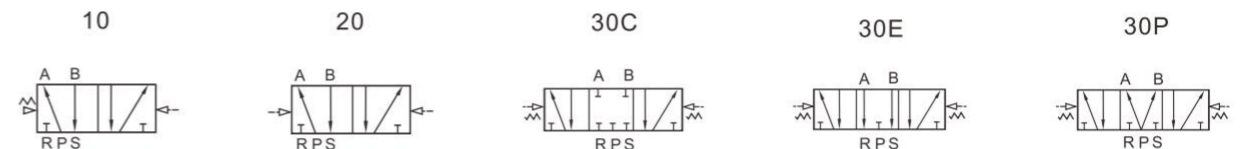


Model	Sign	A	B	C	D	E	F	G	H	I	J	K	L	M	N	O	P
3A120-M5	M5x0.8	16	26.5	69	7.7	27	24	21	3.3	1/8	19	25	13	18	34.5	3.3	
3A120-06	1/8"	16	26.5	69	7.7	27	24	21	3.3	1/8	19	25	13	18	34.5	3.3	
3A220-06	1/8"	22.5	30.75	84	8	35	29.5	25	4.3	1/8	30	27	17	22	42	3.2	
3A220-08	1/4"	22.5	30.75	84	8	35	29.5	25	4.3	1/8	30	27	17	22	42	3.2	
3A320-08	1/4"	24	36	96	10.5	40	33	30	4.3	1/8	35	30.5	20	27	48	4.3	
3A320-10	3/8"	24	36	96	10.5	40	33	30	4.3	1/8	35	30.5	20	27	48	4.3	
3A420-10	3/8"	36	40	116	13.5	50	33	48	4.3	1/8	48	34	27	34	58	4.3	
3A420-15	1/2"	36	40	116	13.5	50	33	48	4.3	1/8	48	34	27	34	58	4.3	

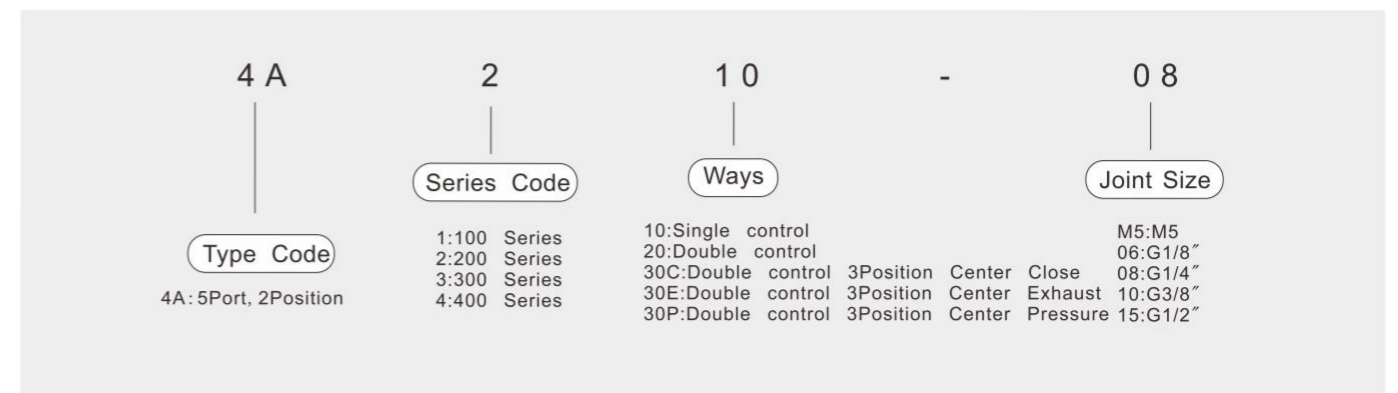
4A Series Air Control Valve

Product features:

- \* Stable life cycle, guaranteed 10,000,000 times;
- \* Various voltage and working style are available;
- \* Different surface treatment, thread types (G, NPT, PT, BSPP, BSPT) are available.



Ordering Code 4A Series Air Control Valve



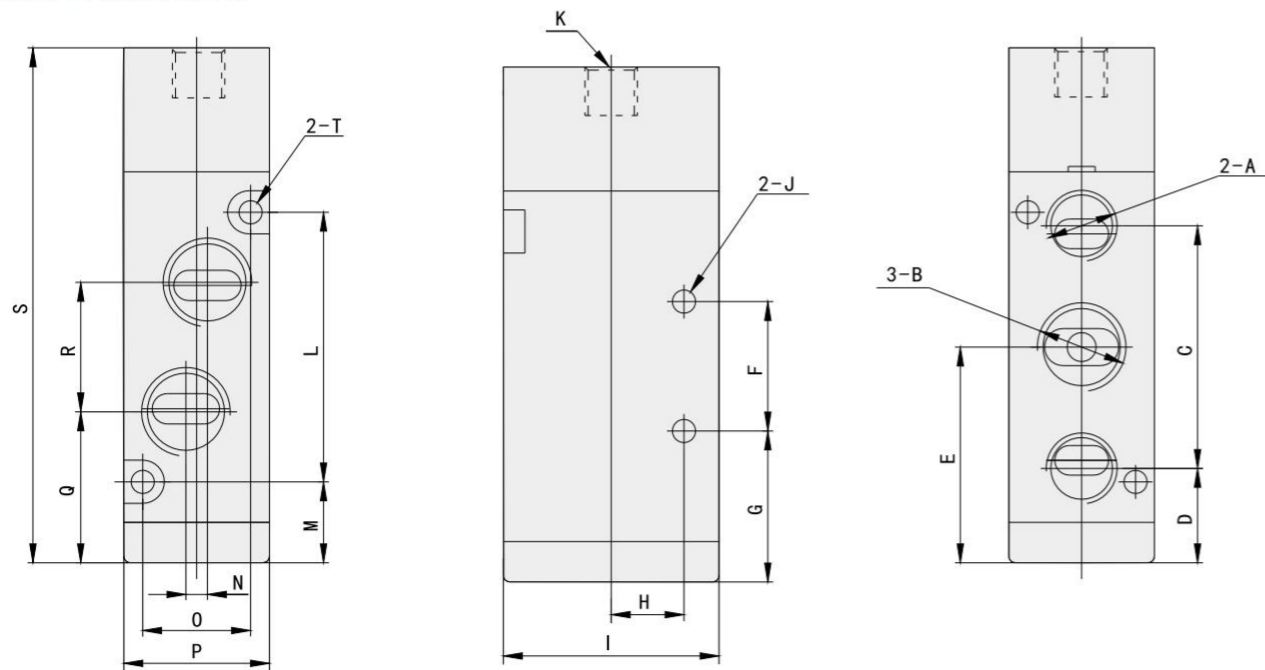


4A Series Air Control Valve

Specifications 4A Series Air Control Valve(2 Position 5 Port Single Control)

Model	4A110-M5	4A110-06	4A210-06	4A210-08	4A310-08	4A310-10	4A410-10	4A410-15
Working Medium	Clean air(40µm Filtration)							
Acting Type	Internal Guide							
Joint Size	Import=M5 Export=M5 Exhaust=M5	Import=1/8 Export=1/8 Exhaust=1/8	Import=1/8 Export=1/8 Exhaust=1/8	Import=1/4 Export=1/4 Exhaust=1/8	Import=1/4 Export=1/4 Exhaust=1/4	Import=3/8 Export=3/8 Exhaust=1/4	Import=3/8 Export=3/8 Exhaust=3/8	Import=1/2 Export=1/2 Exhaust=1/2
Sectional Area	5.5mm <sup>2</sup> (CV=0.31)	12mm <sup>2</sup> (CV=0.67)	14mm <sup>2</sup> (CV=0.78)	16mm <sup>2</sup> (CV=0.89)	25mm <sup>2</sup> (CV=1.4)	30mm <sup>2</sup> (CV=1.68)	30mm <sup>2</sup> (CV=1.68)	50mm <sup>2</sup> (CV=2.79)
Working Pressure	0.15~0.8Mpa							
Max.Pressure	1.2Mpa							
Working Temperature	-5~60°C							
Ways	2 Position 5 Port							
Body Material	Aluminum							
Lubrication	No							
Max.Acting Frequency	5Times/S			4Times/S			3Times/S	

Main Dimensions



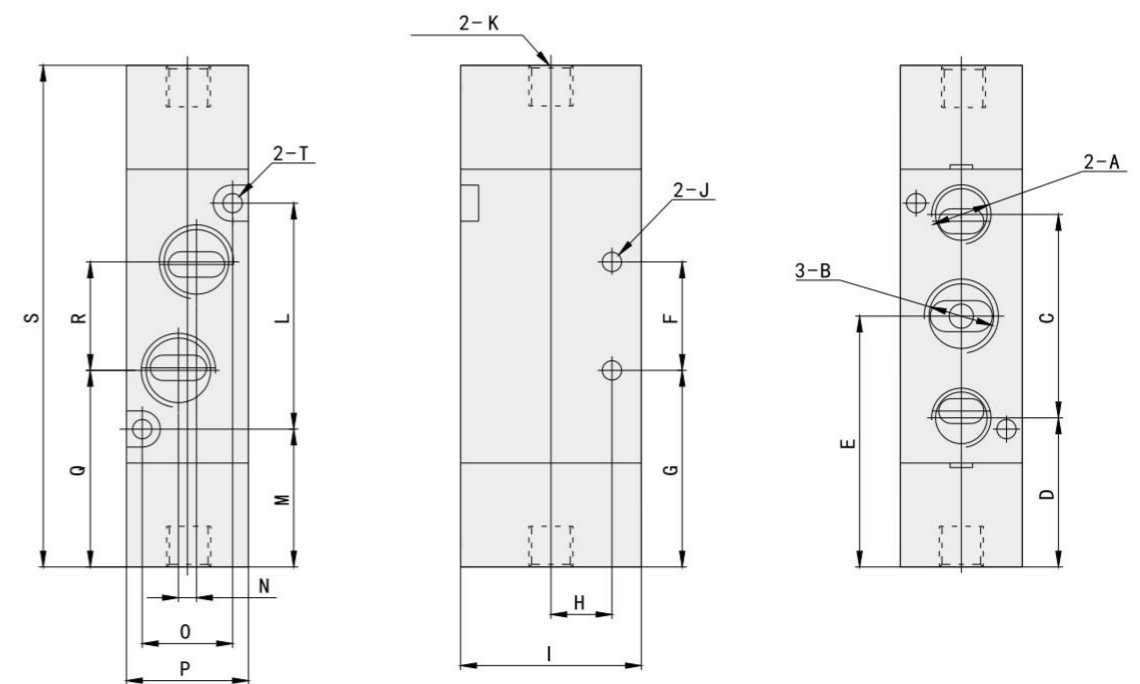
Model	Sign	A	B	C	D	E	F	G	H	I	J	K	L	M	N	O	P	Q	R	S	T
4A110-M5	M5x0.8	M5x0.8	27	14.7	28.2	14	21.2	9.5	27	3.3	1/8"	30	13.2	0	13	18	21.2	14	68.7	3.3	
4A110-06	1/8"	1/8"	28	14.2	28.2	14	21.2	9.5	27	3.3	1/8"	30	13.2	3	13	18	20.2	16	68.7	3.3	
4A210-06	1/8"	1/8"	36	13.7	31.7	20	21.7	10.5	35	4.3	1/8"	38	12.7	0	17	22	22.7	18	77.7	3.2	
4A210-08	1/8"	1/4"	36	13.7	31.7	20	21.7	10.5	35	4.3	1/8"	38	12.7	3	17	22	21.2	21	77.7	3.2	
4A310-08	1/4"	1/4"	45	17.5	40	24	28	13.5	40	4.3	1/8"	50	15	0	20	27	29	22	95.5	4.3	
4A310-10	1/4"	3/8"	45	17.5	40	24	28	13.5	40	4.3	1/8"	50	15	4	20	27	28	24	95.5	4.3	
4A410-10	3/8"	3/8"	63	25.5	57	28	43	17.5	50	5.5	1/8"	72	21	4	27	34	39	36	128	4.3	
4A410-15	1/2"	1/2"	63	25.5	57	28	43	17.5	50	5.5	1/8"	72	21	4	27	34	39	36	128	4.3	

4A Series Air Control Valve

Specifications 4A Series Air Control Valve(2 Position 5 Port Double Control)

Model	4A120-M5	4A120-06	4A220-06	4A220-08	4A320-08	4A320-10	4A420-10	4A420-15
Working Medium	Clean air(40µm Filtration)							
Acting Type	Internal Guide							
Joint Size	Import=M5 Export=M5 Exhaust=M5	Import=1/8 Export=1/8 Exhaust=1/8	Import=1/8 Export=1/8 Exhaust=1/8	Import=1/4 Export=1/4 Exhaust=1/8	Import=1/4 Export=1/4 Exhaust=1/4	Import=3/8 Export=3/8 Exhaust=1/4	Import=3/8 Export=3/8 Exhaust=3/8	Import=1/2 Export=1/2 Exhaust=1/2
Sectional Area	5.5mm <sup>2</sup> (CV=0.31)	12mm <sup>2</sup> (CV=0.67)	14mm <sup>2</sup> (CV=0.78)	16mm <sup>2</sup> (CV=0.89)	25mm <sup>2</sup> (CV=1.4)	30mm <sup>2</sup> (CV=1.68)	30mm <sup>2</sup> (CV=1.68)	50mm <sup>2</sup> (CV=2.79)
Working Pressure	0.15~0.8Mpa							
Max.Pressure	1.2Mpa							
Working Temperature	-5~60°C							
Ways	2 Position 5 Port							
Body Material	Aluminum							
Lubrication	No							
Max.Acting Frequency	5Times/S			4Times/S			3Times/S	

Main Dimensions



Model	Sign	A	B	C	D	E	F	G	H	I	J	K	L	M	N	O	P	Q	R	S	T
4A120-M5	M5x0.8	M5x0.8	27	27	40.5	14	33.5	9.5	27	3.3	1/8"	30	25.5	0	13	18	33.5	14	81	3.3	
4A120-06	1/8"	1/8"	28	26.5	40.5	14	33.5	9.5	27	3.3	1/8"	30	25.5	3	13	18	33.5	16	81	3.3	
4A220-06	1/8"	1/8"	36	28	46	20	36	10.5	35	4.3	1/8"	38	27	0	17	22	37	18	92	3.2	
4A220-08	1/8"	1/4"	36	28	46	20	36	10.5	35	4.3	1/8"	38	27	3	17	22	35.5	21	92	3.2	
4A320-08	1/4"	1/4"	45	33	55.5	24	43.5	13.5	40	4.3	1/8"	50	30.5	0	20	27	44.5	22	111	4.3	
4A320-10	1/4"	3/8"	45	33	55.5	24	43.5	13.5	40	4.3	1/8"	50	30.5	4	20	27	44.5	24	111	4.3	
4A420-10	3/8"	3/8"	63	39.5	71	28	57	17.5	50	5.5	1/8"	72	35	4	27	34	53	36	142	4.3	
4A420-15	1/2"	1/2"	63	39.5	71	28	57	17.5	50	5.5	1/8"	72	35	4	27	34	53	36	142	4.3	



4A Series Air Control Valve

Specifications 4A Series Air Control Valve(3 Position 5 Port Center Close)

Model	4A130C-M5	4A130C-06	4A230C-06	4A230C-08	4A330C-08	4A330C-10	4A430C-10	4A430C-15
Working Medium	Clean air(40µm Filtration)							
Acting Type	Internal Guide							
Joint Size	Import=M5 Export=M5 Exhaust=M5	Import=1/8 Export=1/8 Exhaust=1/8	Import=1/8 Export=1/8 Exhaust=1/8	Import=1/4 Export=1/4 Exhaust=1/8	Import=1/4 Export=1/4 Exhaust=1/4	Import=3/8 Export=3/8 Exhaust=1/4	Import=3/8 Export=3/8 Exhaust=3/8	Import=1/2 Export=1/2 Exhaust=1/2
Sectional Area	5.0mm <sup>2</sup> (CV=0.28)	9.0mm <sup>2</sup> (CV=0.50)	12mm <sup>2</sup> (CV=0.67)	12mm <sup>2</sup> (CV=0.67)	18mm <sup>2</sup> (CV=1.0)	18mm <sup>2</sup> (CV=1.0)	30mm <sup>2</sup> (CV=1.68)	30mm <sup>2</sup> (CV=1.68)
Working Pressure	0.15~0.8Mpa							
Max. Pressure	1.2Mpa							
Working Temperature	-5~60°C							
Ways	3 Position 5 Port							
Body Material	Aluminum							
Lubrication	No							
Max. Acting Frequency	3Times/S							

Specifications 4A Series Air Control Valve(3 Position 5 Port Center Exhaust)

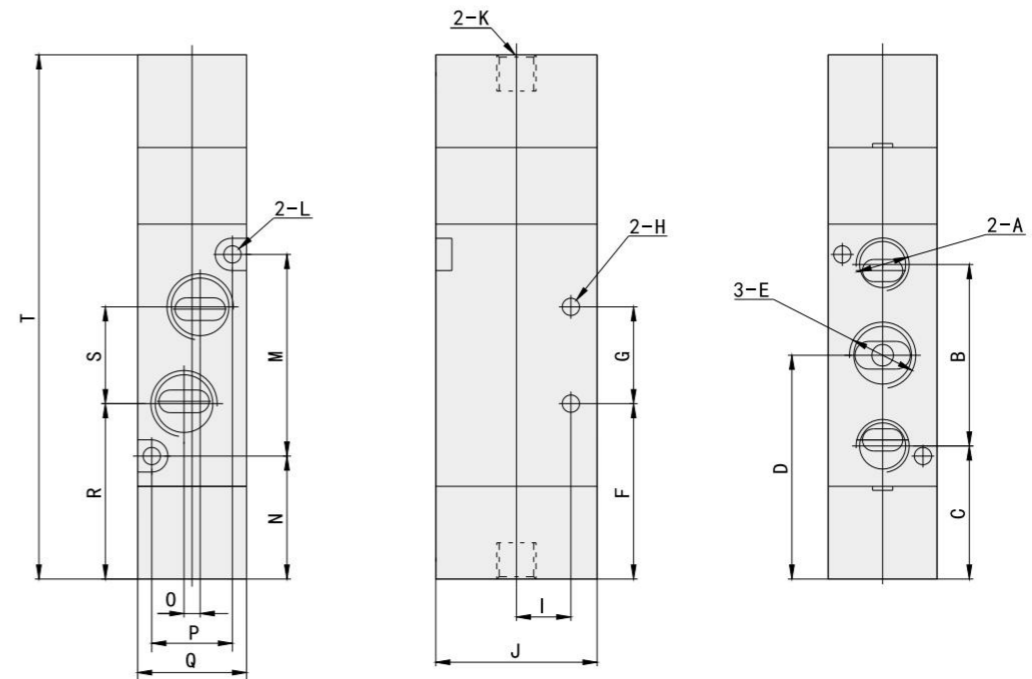
Model	4A130E-M5	4A130E-06	4A230E-06	4A230E-08	4A330E-08	4A330E-10	4A430E-10	4A430E-15
Working Medium	Clean air(40µm Filtration)							
Acting Type	Internal Guide							
Joint Size	Import=M5 Export=M5 Exhaust=M5	Import=1/8 Export=1/8 Exhaust=1/8	Import=1/8 Export=1/8 Exhaust=1/8	Import=1/4 Export=1/4 Exhaust=1/8	Import=1/4 Export=1/4 Exhaust=1/4	Import=3/8 Export=3/8 Exhaust=1/4	Import=3/8 Export=3/8 Exhaust=3/8	Import=1/2 Export=1/2 Exhaust=1/2
Sectional Area	5.0mm <sup>2</sup> (CV=0.28)	9.0mm <sup>2</sup> (CV=0.50)	12mm <sup>2</sup> (CV=0.67)	12mm <sup>2</sup> (CV=0.67)	18mm <sup>2</sup> (CV=1.0)	18mm <sup>2</sup> (CV=1.0)	30mm <sup>2</sup> (CV=1.68)	30mm <sup>2</sup> (CV=1.68)
Working Pressure	0.15~0.8Mpa							
Max. Pressure	1.2Mpa							
Working Temperature	-5~60°C							
Ways	3 Position 5 Port							
Body Material	Aluminum							
Lubrication	No							
Max. Acting Frequency	3Times/S							

4A Series Air Control Valve

Specifications 4A Series Air Control Valve(3 Position 5 Port Center Pressure)

Model	4A130P-M5	4A130P-06	4A230P-06	4A230P-08	4A330P-08	4A330P-10	4A430P-10	4A430P-15
Working Medium	Clean air(40µm Filtration)							
Acting Type	Internal Guide							
Joint Size	Import=M5 Export=M5 Exhaust=M5	Import=1/8 Export=1/8 Exhaust=1/8	Import=1/8 Export=1/8 Exhaust=1/8	Import=1/4 Export=1/4 Exhaust=1/8	Import=1/4 Export=1/4 Exhaust=1/4	Import=3/8 Export=3/8 Exhaust=1/4	Import=3/8 Export=3/8 Exhaust=3/8	Import=1/2 Export=1/2 Exhaust=1/2
Sectional Area	5.0mm <sup>2</sup> (CV=0.28)	9.0mm <sup>2</sup> (CV=0.50)	12mm <sup>2</sup> (CV=0.67)	12mm <sup>2</sup> (CV=0.67)	18mm <sup>2</sup> (CV=1.0)	18mm <sup>2</sup> (CV=1.0)	30mm <sup>2</sup> (CV=1.68)	30mm <sup>2</sup> (CV=1.68)
Working Pressure	0.15~0.8Mpa							
Max. Pressure	1.2Mpa							
Working Temperature	-5~60°C							
Ways	3 Position 5 Port							
Body Material	Aluminum							
Lubrication	No							
Max. Acting Frequency	3Times/S							

Main Dimensions



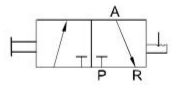
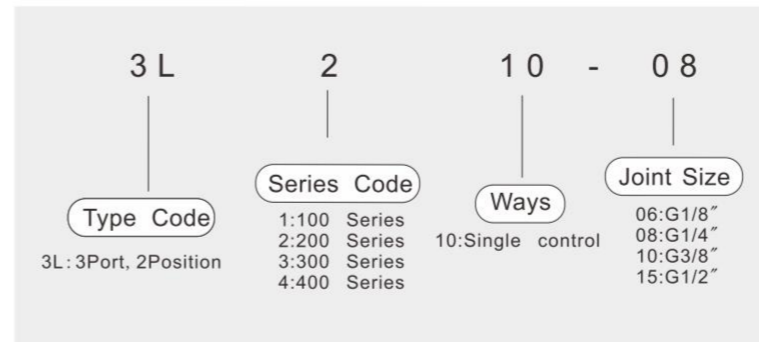
Model	Sign	A	B	C	D	E	F	G	H	I	J	K	L	M	N	O	P	Q	R	S	T
4A130-M5	M5x0.8	27	26	40.5	M5x0.8	33.5	14	3.3	9.5	27	1/8"	3.3	30	26.5	0	13	18	33.5	14	96	
4A130-06	1/8"	28	26	40.5	1/8"	33.5	14	3.3	9.5	27	1/8"	3.3	30	26.5	1	13	18	33.5	16	96	
4A230-06	1/8"	36	28	46	1/8"	36	20	4.3	10.5	35	1/8"	3.2	38	27	0	17	22	37	18	111	
4A230-08	1/8"	36	28	46	1/4"	36	20	4.3	10.5	35	1/8"	3.2	38	27	3	17	22	35.5	21	111	
4A330-08	1/4"	45	33	55.5	1/4"	43.5	24	4.3	13.5	40	1/8"	4.3	50	30.5	0	20	27	44.5	22	130	
4A330-10	1/4"	45	33	55.5	3/8"	43.5	24	4.3	13.5	40	1/8"	4.3	50	30.5	4	20	27	44.5	24	130	
4A430-15	1/2"	63	39.5	71	1/2"	57	28	5.5	17.5	50	1/8"	4.3	72	35	4	27	34	53	36	163	





### L Series Hand Pull Valve

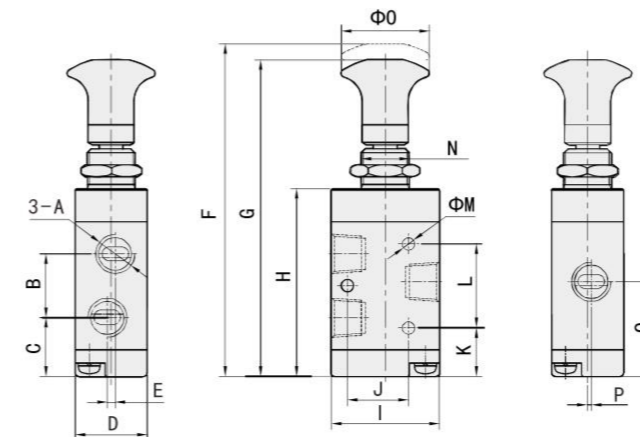
Ordering Code L Series Hand Pull Valve(2 Position 3 Port)



### Specifications

Model	3L110-06	3L210-06	3L210-08	3L310-08	3L310-10	3L410-10	3L410-15
Working Medium	Clean air(40µm Filtration)						
Acting Type	Direct Acting						
Joint Size	G1/8"		G1/4"		G3/8"		G1/2"
Ways	2 Position 3 Port						
Lubrication	No						
Working Pressure	0~0.8Mpa						
Max.Pressure	1.5Mpa						
Working Temperature	-20~70°C						
Body Material	Aluminum						
Seal Material	NBR						

### Main Dimensions



Model	3L110-06	3L210-06	3L210-08	3L310-08	3L310-10	3L410-10	3L410-15
A	G1/8	G1/8	G1/4	G1/4	G3/8	G3/8	G1/2
B	16	18.5	22.5	22	25	33.5	36
C	14.5	18.3	16.3	21.5	20	26	23.5
D	18	22	22	27	27	34	34
E	2	0	0	1	2	0	0
F	83.5	94	94	110	110	138	138
G	79.5	89	89	105	105	133	133
H	44.5	54.5	54.5	63.5	63.5	85	85
I	27	35	35	40	40	50	50
J	19	24	24	28	28	36	36
K	15.5	17.5	17.5	20.5	20.5	28.5	28.5
L	14	20	20	24	24	28	28
M	3.1	4.3	4.3	4.3	4.3	4.3	4.3
N	M14X1	M14X1	M14X1	M14X1	M14X1	M22X2.5	M22X2.5
O	22.5	22.5	22.5	32	32	32	32
P	1	0.5	1.5	1	2	2	2
Q	22.5	27.5	27.5	32.5	32.5	42.5	42.5



### L Series Hand Pull Valve

Ordering Code L Series Hand Pull Valve(2 Position 5 Port)

4 L      2      10 - 08



Type Code      Series Code      Ways      Joint Size

4L: 5Port, 2Position      1:100 Series      10:Single control      06:G1/8"

2:200 Series      08:G1/4"

3:300 Series      10:G3/8"

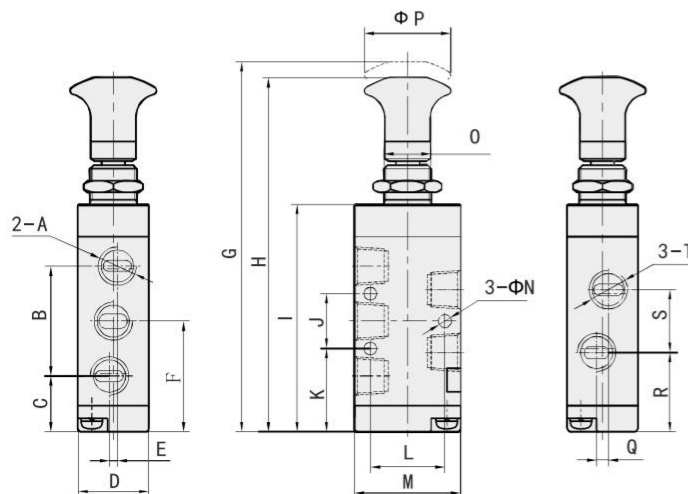
4:400 Series      15:G1/2"

### Specifications

Model	4L110-06	4L210-06	4L210-08	4L310-08	4L310-10	4L410-10	4L410-15
Working Medium	Clean air(40µm Filtration)						
Acting Type	Direct Acting Type						
Joint Size	G1/8"		G1/4"		G3/8"		G1/2"
Ways	2 Position 5 Port						
Lubrication	No						
Working Pressure	0~0.8Mpa						
Max.Pressure	1.5Mpa						
Working Temperature	-20~70°C						
Body Material	Aluminum						
Seal Material	NBR						

### Main Dimensions



Model	4L110-06	4L210-06	4L210-08	4L310-08	4L310-10	4L410-10	4L410-15
A	G1/8	G1/8	G1/8	G1/4	G1/4	G3/8	G3/8
B	28	35	35	45	45	63	63
C	14	14	14	17.5	17.5	23	23
D	18	22	22	27	27	34	34
E	1	0	0	0	4	0	0
F	28	31.5	31.5	40	40	54.5	54.5
G	95	102	102	119	119	162	162
H	91	98	98	114	114	157	157
I	55.5	62.5	62.5	78.5	78.5	109	109
J	14	20	20	24	24	28	28
K	21	21.5	21.5	28	28	40.5	40.5
L	19	24	24	28	28	36	36
M	27	35	35	40	40	50	50
N	3.3	4.3	4.3	4.3	4.3	5.5	5.5
O	M14X1	M14X1	M14X1	M14X1	M14X1	M22X1.5	M22X1.5
P	22.5	22.5	22.5	32	32	32	32
Q	4	0	3	0	4	0	4
R	20	21.5	22.5	28	28	36.5	36.5
S	16	20	18	24	24	36	35.5
T	G1/8	G1/8	G1/4	G1/4	G3/8	G3/8	G1/2

### H Series Hand Push Valve

Ordering Code H Series Push Valve


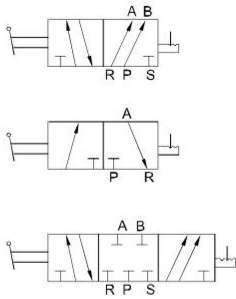
4 H      2      10 - 08

Type Code      Series Code      Ways      Joint Size

3H: 3Port, 2Position      1:100 Series      10:Single Control      M5:M5

4H: 5Port, 2(3)Position      2:200 Series      30C:Double Control Center Pressure      06:G1/8"

4:400 Series      3:300 Series      15:G1/2"

### Product Features

- \* Manual operated;
- \* Various working styles are available;

### Specifications

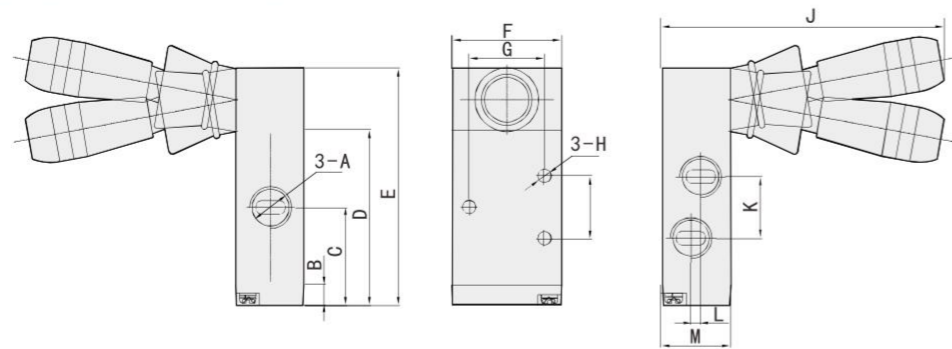
Model	Joint Size	Sectional Area	Working Medium	Working Pressure	Max. Pressure	Working Temperature	Body Material	Lubrication
3H110-06	G1/8"	12mm <sup>2</sup> (CV=0.67)	Clean air	0~1.0 Mpa	1.5 Mpa	-10~60°C	Aluminum	No
3H210-06	G1/8"	14mm <sup>2</sup> (CV=0.78)						
3H210-08	G1/4"	16mm <sup>2</sup> (CV=0.89)						
3H310-08	G1/4"	25mm <sup>2</sup> (CV=1.39)						
3H310-10	G3/8"	30mm <sup>2</sup> (CV=1.67)						
3H410-10	G3/8"	40mm <sup>2</sup> (CV=2.23)						
3H410-15	G1/2"	50mm <sup>2</sup> (CV=2.79)						
4H110-06	G1/8"	12mm <sup>2</sup> (CV=0.67)						
4H210-06	G1/8"	14mm <sup>2</sup> (CV=0.78)						
4H210-08	G1/4"	16mm <sup>2</sup> (CV=0.89)						
4H310-08	G1/4"	25mm <sup>2</sup> (CV=1.39)						
4H310-10	G3/8"	30mm <sup>2</sup> (CV=1.67)						
4H410-10	G3/8"	40mm <sup>2</sup> (CV=2.23)						
4H410-15	G1/2"	50mm <sup>2</sup> (CV=2.79)						
4H130C-06	G1/8"	9mm <sup>2</sup> (CV=0.50)						
4H230C-08	G1/4"	12mm <sup>2</sup> (CV=0.67)						
4H330C-10	G3/8"	18mm <sup>2</sup> (CV=1.00)						
4H430C-15	G1/2"	30mm <sup>2</sup> (CV=1.67)						



### H Series Hand Push Valve

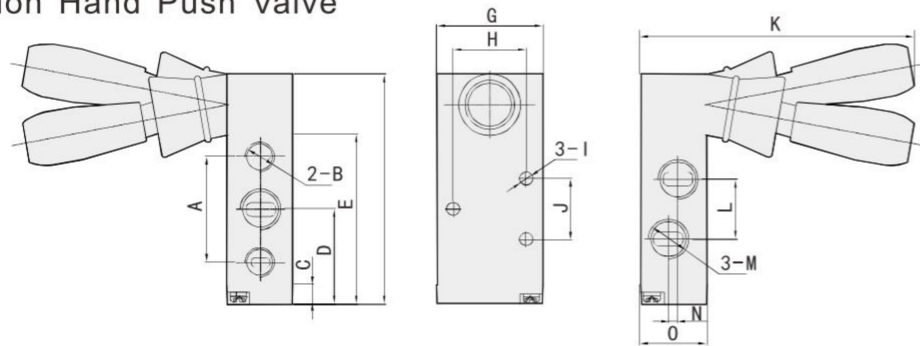
#### Main Dimensions

##### 3Port, 2Position Hand Push Valve



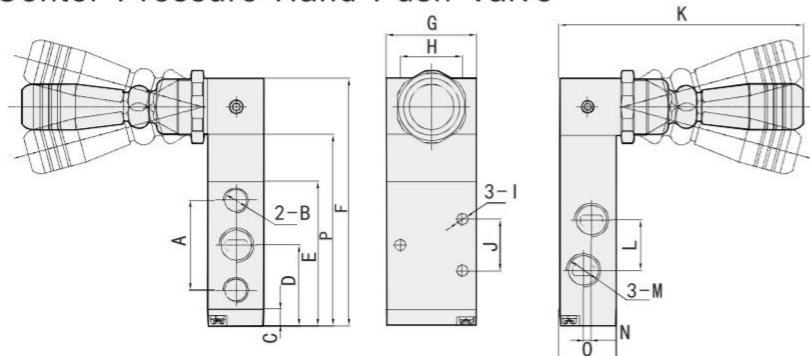
Model	A	B	C	D	E	F	G	H	I	J	K	L	M
3H110-06	G1/8	6.5	22.5	38.5	58.5	27	19	3.3	14	87.7	16	2	18
3H210-08	G1/4	6.5	27.5	40.5	68.5	35	24	4.3	20	91.5	22.5	0	22
3H310-10	G3/8	7.5	32.5	57.5	77.5	40	28	4.3	24	99.3	25	2	27
3H410-15	G1/2	7.5	42.5	77.5	105.5	50	36	4.3	28	107	36	0	34

##### 5Port, 2Position Hand Push Valve



Model	A	B	C	D	E	F	G	H	I	J	K	L	M	N	O
4H110-06	28	G1/8	6.5	28	49.5	69.5	27	19	3.3	14	87.5	16	G1/8	3	18
4H210-06	35	G1/4	6.5	31.5	76.5	76.5	35	24	4.3	20	90	20	G1/4	3	22
4H310-08	45	G3/8	7.5	40	92.5	92.5	40	28	4.3	24	96.5	24	G3/8	4	27
4H410-08	63	G1/2	7.5	54.5	129.5	129.5	50	36	5.5	28	105	36	G1/2	4	34

##### 5Port, 3Position Center Pressure Hand Push Valve



Model	A	B	C	D	E	F	G	H	I	J	K	L	M	N	O	P
4H130C-06	28	G1/8	6.5	28	49.5	84.5	27	19	Φ 3.5	14	94.5	16	G1/8	3	18	64.5
4H230C-08	35	G1/4	6.5	31.5	56.5	97	35	24	Φ 4.3	20	95.5	20	G1/4	3	22	75
4H330C-10	44	G3/8	7.5	40	72.5	113.5	40	28	Φ 4.3	24	100	24	G3/8	4	27	91.5
4H430C-15	63	G1/2	7.5	54.5	101.5	152	50	36	Φ 5.5	28.5	108	35	G1/2	4	34	124

### M Series Mechanical Valve

#### Ordering Code M Series Mechanical Valve

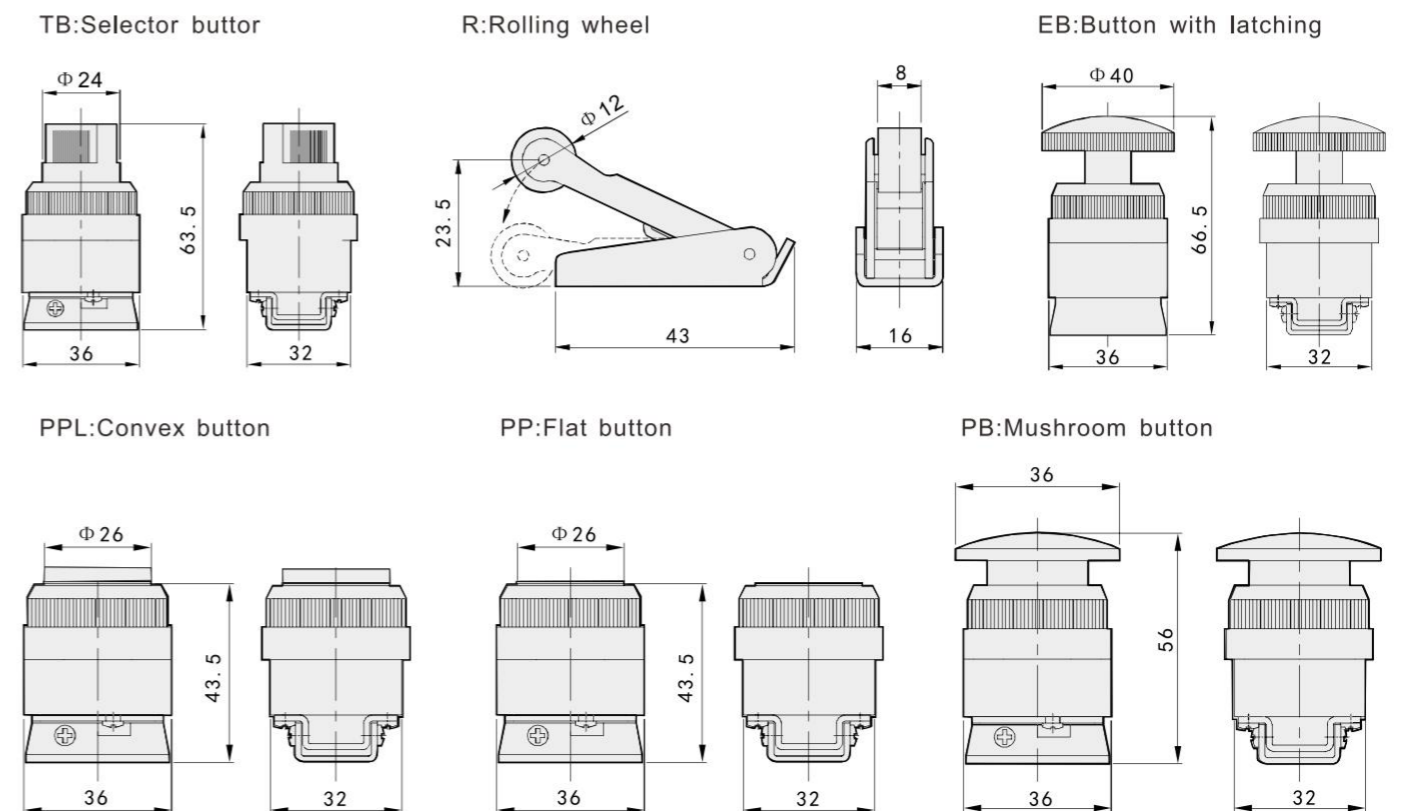
**M** (Type Code) | **5** (Series Code) | **2** (Ways) | **2** (Joint Size) | **-** | **R** (Button Type)

M: Mechanical Valve | 5: 5Port, 3: 3Port, 2: 2Port | 2: 2Position | 1: G1/8", 2: G1/4" | 
 Blank: Basic, R: Rolling wheel, PP: Flat button, PPL: Convex button, PB: Mushroom button, EB: Button with latching, TB: Selector button

#### Specifications

Model	M221	M322	M522
Working Medium	Clean air(40µm Filtration)		
Control Mode	Mechanical Control/Manual Control		
Lubrication	No		
Working Pressure	0 to 1.0Mpa		
Max. Pressure	1.5Mpa		
Working Temperature	-20 to 70°C		
Joint Size	G1/8", G1/4"		

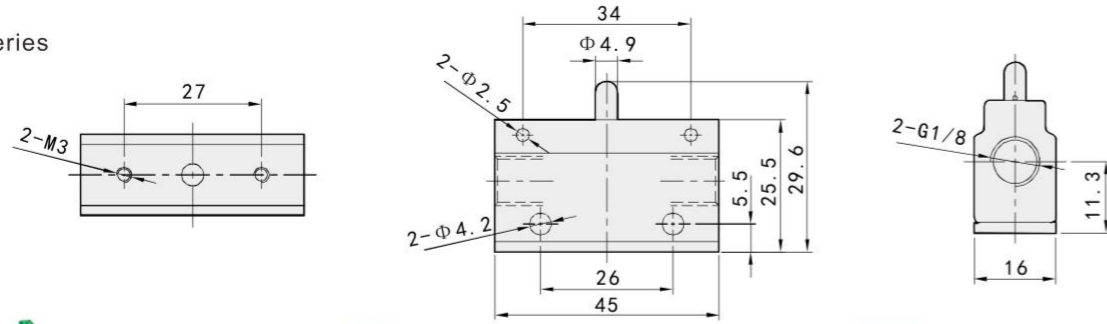
#### Main Dimensions



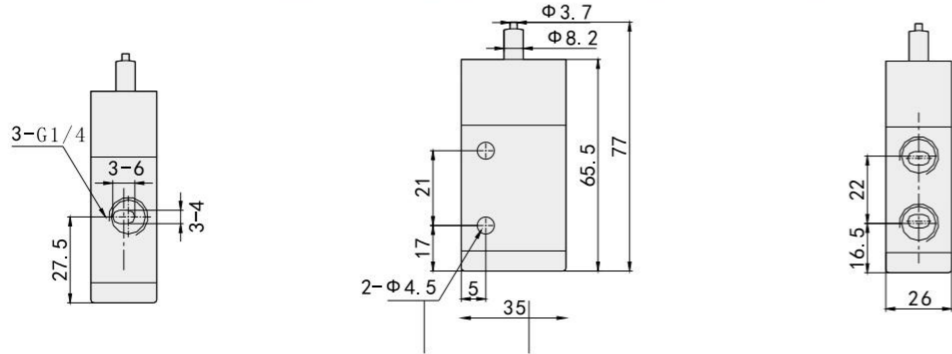


M Series Mechanical Valve

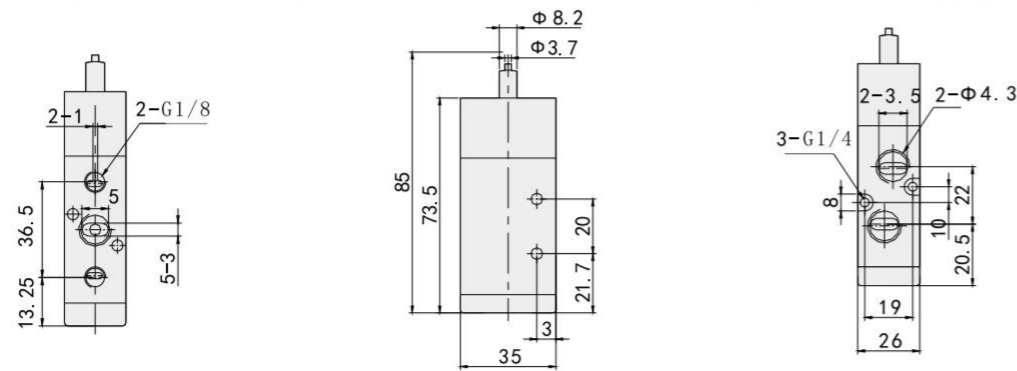
M221 Series



M322 Series

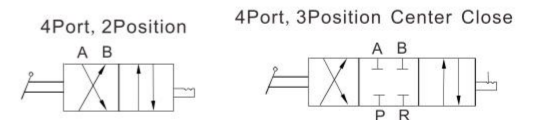
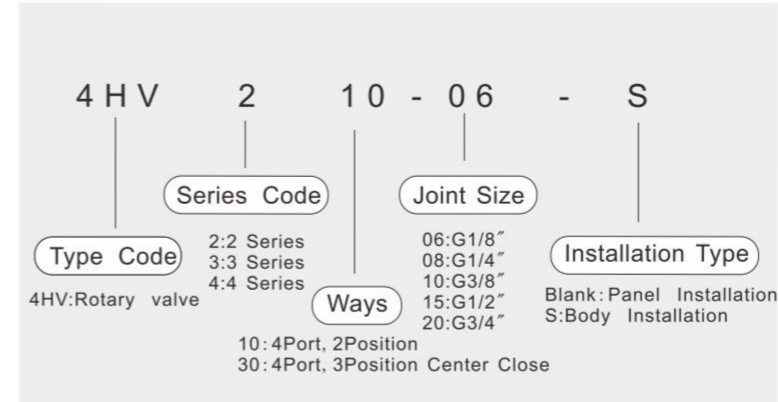


M522 Series



4HV Series Rotary Valve

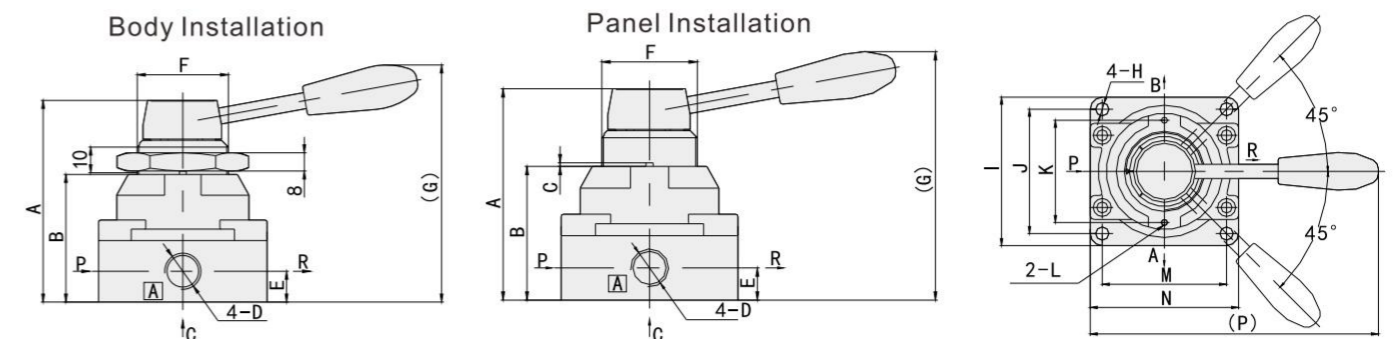
Ordering Code 4HV Series Rotary Valve



Specifications

Model	4HV2□□-06	4HV2□□-08	4HV3□□-08	4HV3□□-10	4HV4□□-15	4HV4□□-20
Working Medium	Clean air(40µm Filtration)					
Acting Type	External Control					
Joint Size	G1/8"	G1/4"		G3/8"	G1/2"	G3/4"
Sectional Area	14mm <sup>2</sup> (CV=0.78)	16mm <sup>2</sup> (CV=0.89)	30mm <sup>2</sup> (CV=1.67)	33mm <sup>2</sup> (CV=1.83)	88mm <sup>2</sup> (CV=4.89)	95mm <sup>2</sup> (CV=5.27)
Ways	4Port, 2Position, 4Port, 3Position					
Working Pressure	0~1.0Mpa					
Max.Pressure	1.5Mpa					
Working Temperature	-20~70°C					
Working Angle	90°					

Main Dimensions



Model	A	B	C	D	E	F	G	H	I	J	K	L	M	N	P
4HV2□□-06	72.6	45	1.5	G1/8	11.5	M34X1.5	92.5	5	62	49	40	3	49	62	120
4HV2□□-08	72.6	45	1.5	G1/4	11.5	M34X1.5	92.5	5	62	49	40	3	49	62	120
4HV3□□-08	88.5	56	1.5	G1/4	13.5	M40X1.5	104	6.6	74	62	51	3	62	74	140
4HV3□□-10	88.5	56	1.5	G3/8	13.5	M40X1.5	104	6.6	74	62	51	3	62	74	140
4HV4□□-15	110.3	72	2	G1/2	18	M52X1.5	126	6.6	102	89	64	3	81	94	160
4HV4□□-20	110.3	72	2	G3/4	18	M52X1.5	126	6.6	102	89	64	3	81	94	160







F Series Foot Pedal Valve

Ordering Code F Series Foot Pedal Valve

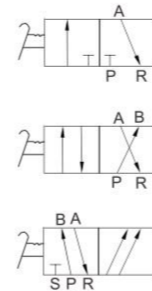
4 F 2 1 0 - 0 8 L

Type Code      Joint Size      L

3F210: 3Port, 2Position  
4F210M: 4Port, 2Position  
4F210: 5Port, 2Position

08: G1/4"

Blank: Standard  
L: With Lock  
C: With Cover  
LC: With Lock&Cover

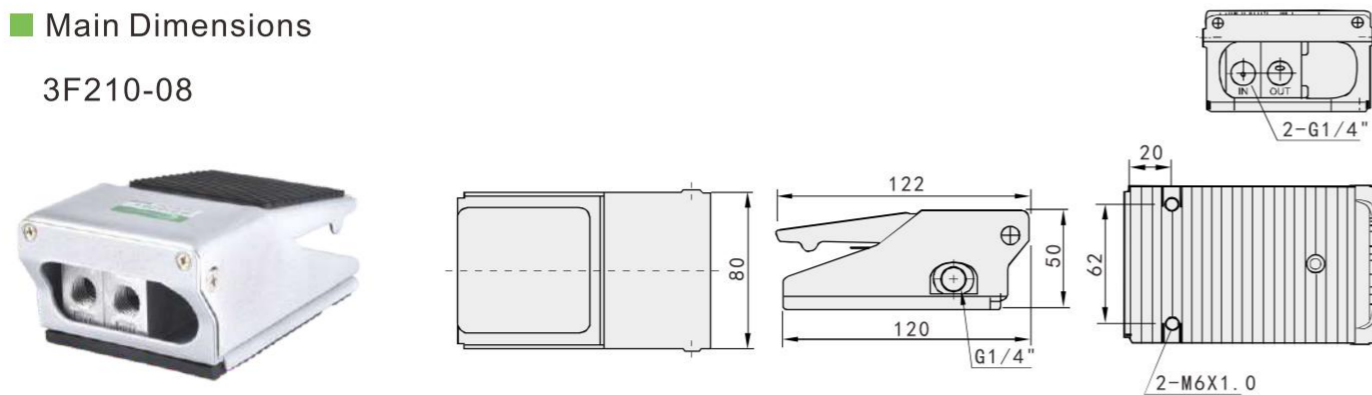


Specifications

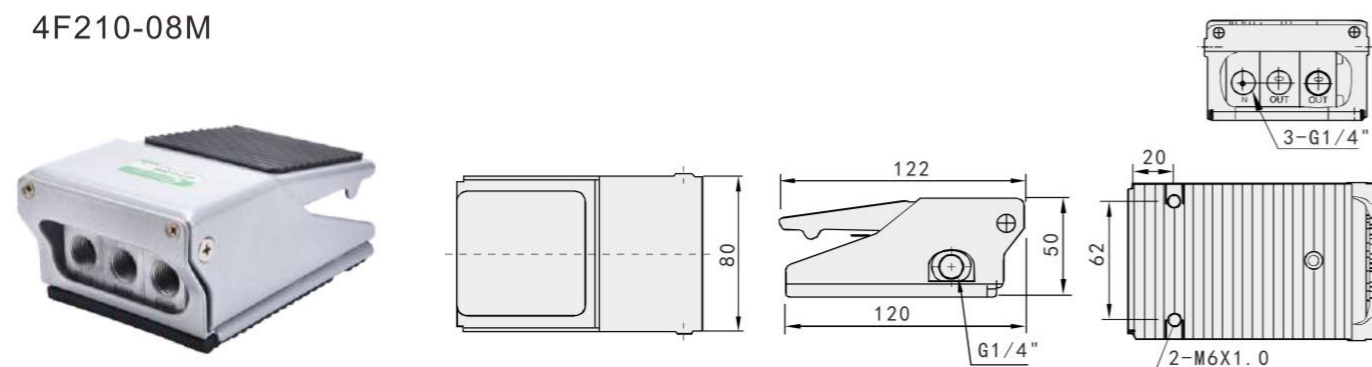
Model	3F210-08	4F210-08M	4F210-08	4F210-08L	4F210-08C	4F210-08LC
Working Medium	Clean air(40µm Filtration)					
Acting Type	External Control					
Ways	3Port, 2Position	4Port, 2Position	5Port, 2Position			
Working Pressure	0~0.7Mpa		0~0.7Mpa			
Max. Pressure	1.2Mpa					
Working Temperature	-5~60°C		-5~60°C			
Joint Size	G1/4"					

Main Dimensions

3F210-08

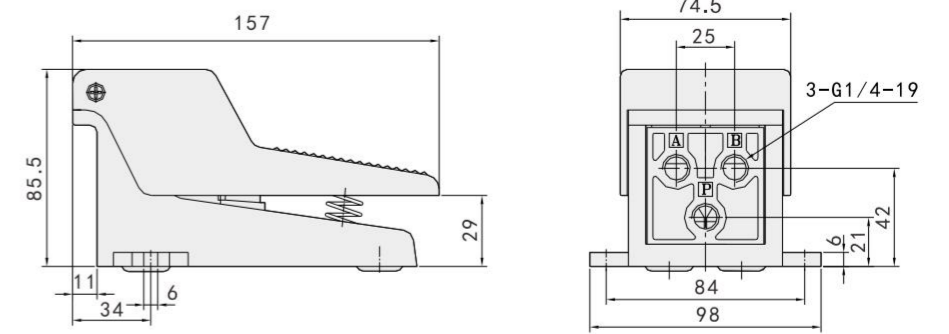


4F210-08M

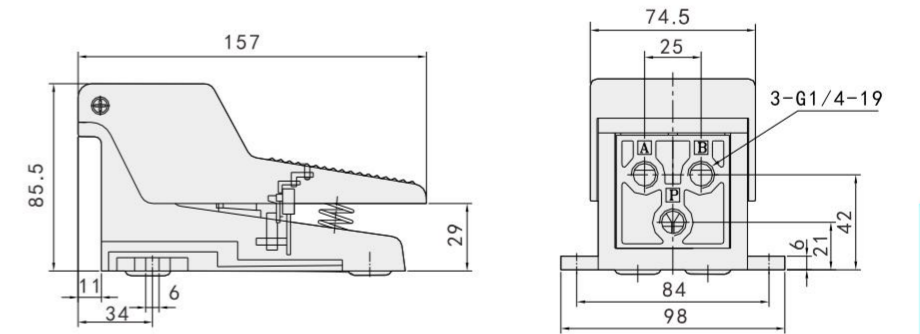


F Series Foot Valve

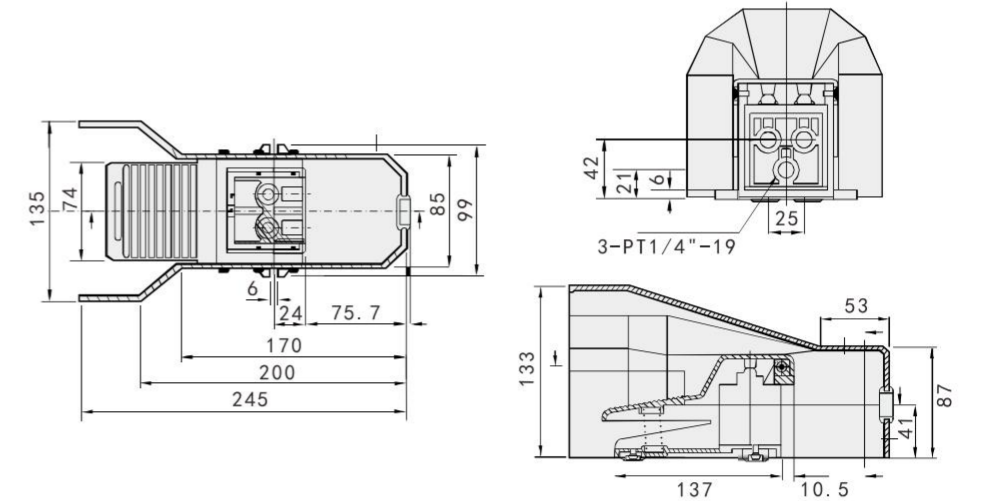
4F210-08



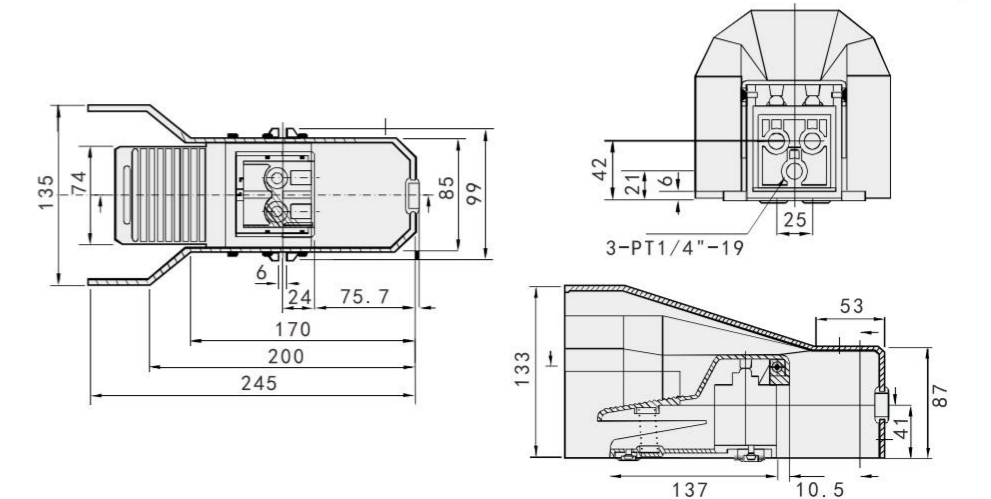
4F210-08L



4F210-08C



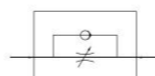
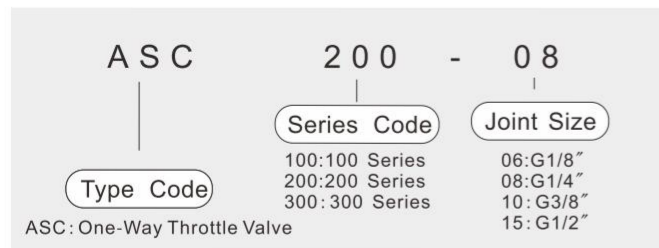
4F210-08LC





### ASC Series One-Way Throttle Valve

Ordering Code ASC Series One-Way Throttle Valve

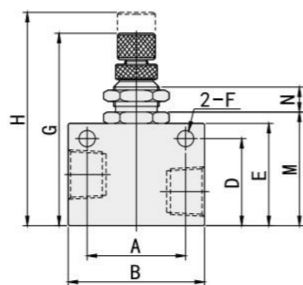
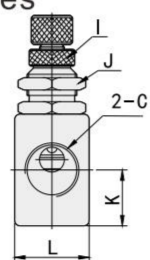


### Specifications

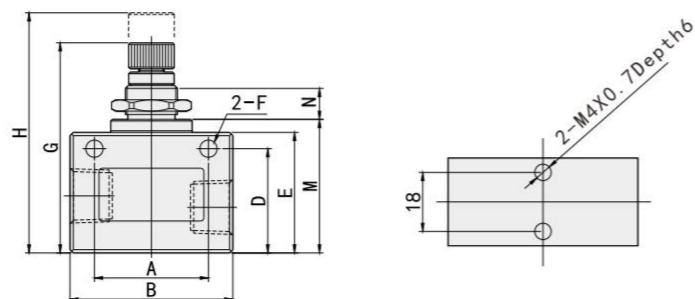
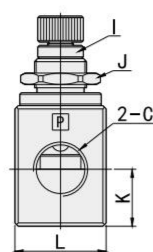
Model	ASC100-06	ASC200-08	ASC300-10	ASC300-15	
Working Medium	Clean air(40µm Filtration)				
Working Pressure	0~1.0Mpa				
Max.Pressure	1.2Mpa				
Working Temperature	0~60°C				
Body Material	Aluminum				
Standard rated flow	Throttle	200L/min	450L/min	1250L/min	1650L/min
	One way	400L/min	800L/min	1500L/min	2500L/min
Joint Size	G1/8"	G1/4"	G3/8"	G1/2"	

### Main Dimensions

ASC100、ASC200 Series



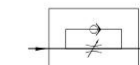
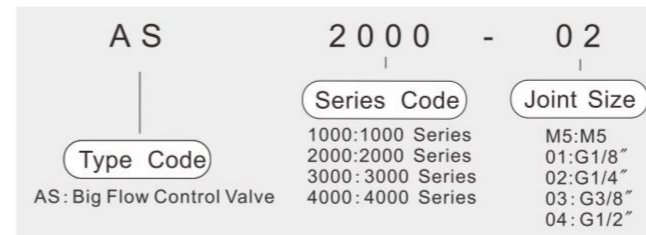
ASC300 Series



Model	A	B	C	D	E	F	G	H	I	J	K	L	M	N
ASC100-06	22	32	G1/8	18	23	4.3	46.8	52.3	M6X0.5	M12X0.75	10	18	26	8.6
ASC200-08	26	36	G1/4	23	27	4.3	50.8	56.3	M6X0.5	M12X0.75	13.5	18	30	8.6
ASC300-10	35	50	G3/8	32	37	5.3	65	74	M8X0.75	M16X1.0	17.5	28	40.5	10.2
ASC300-15	35	50	G1/2	32	37	5.3	65	74	M8X0.75	M16X1.0	17.5	28	40.5	10.2

### AS Series Big Flow Control Valve

Ordering Code AS Series Big Flow Control Valve



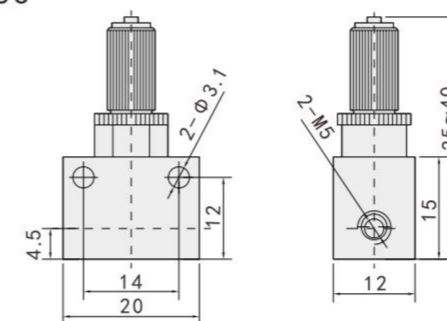
### Specifications

Model	AS1000	AS2000	AS3000	AS4000
Working Pressure	1.05Mpa	1.5Mpa		
Max.Pressure	0.7Mpa	1.0Mpa		
Min.Pressure	0.1Mpa	0.05Mpa		
Working Temperature	5~60°C			
Adjustable cycles NO	10	9	8	8

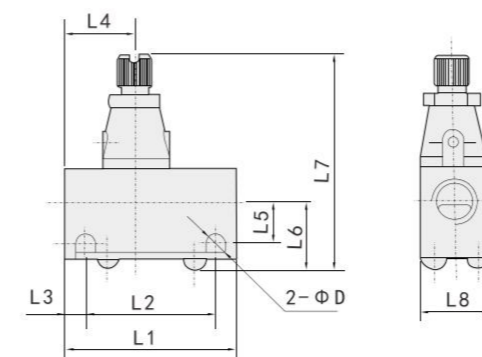
Model	Joint Size	Free Flow		Control Flow	
		Flow (L/min)	Sectional Area	Flow (L/min)	Sectional Area
AS1000-M5	M5	90	1.4	80	1.2
AS2000-01	G1/8"	340	5.2	250	3.8
AS2000-02	G1/4"	340	5.2	250	3.8
AS3000-02	G1/4"	810	12.3	810	12.3
AS3000-03	G3/8"	810	12.3	810	12.3
AS4000-02	G1/4"	1670	25.5	1670	25.5
AS4000-03	G3/8"	1670	25.5	1670	25.5
AS4000-04	G1/2"	1670	25.5	1670	25.5

### Main Dimensions

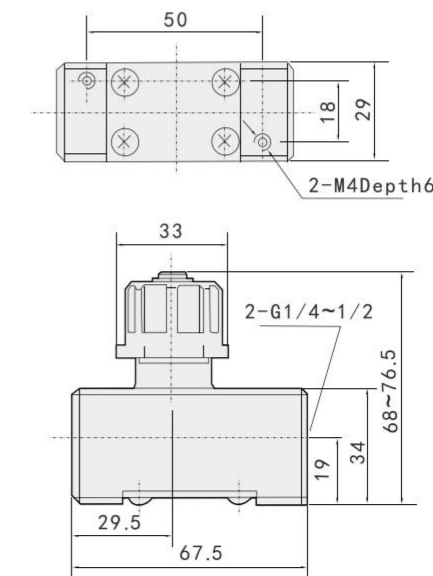
AS1000



AS2000、AS3000



AS4000



Note: Orifice is base on input pressure 0.5Mpa.

Model	Joint Size	L1	L2	L3	L4	L5	L6	L7	L8	D
AS2000-01	G1/8	40	30	5	17	10	15.5	50~54.5	16	4.5
AS2000-02	G1/4	40	30	5	23	11.5	17	51.5~56	20	4.5
AS3000-02	G1/4	56	45.5	5.25	25	13.2	21	62~69	26	5.5
AS3000-03	G3/8	56	45.5	5.25	25	13.2	21	62~69	26	5.5



Flow Control Valve

Ordering Code KLA Series Flow Control Valve

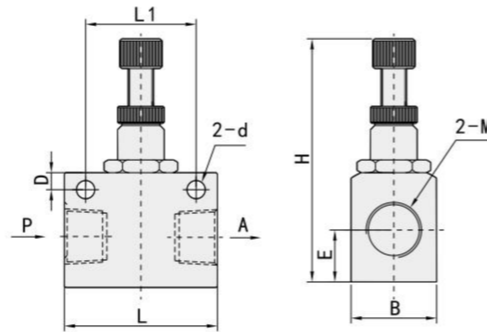
**K L A** - **0 8**  
 |  
**Type Code** | **Joint Size**  
 KLA: Flow Control Valve | 06: G1/8" 15: G1/2"  
 | 08: G1/4" 20: G3/4"  
 | 10: G3/8" 25: G1"



Specifications

Model	KLA-06	KLA-08	KLA-10	KLA-15	KLA-20	KLA-25
Working Medium	Clean air(40µm Filtration)					
Working Pressure	0~0.95Mpa					
Max. Pressure	1.2Mpa					
Working Temperature	0~60°C					
Joint Size	G1/8"	G1/4"	G3/8"	G1/2"	G3/4"	G1"

Main Dimensions



Model	Orifice	L	L1	H	B	M	E	D	Φd
KLA-06	6	40	30	61~70	20	M10X1.0(G1/8)	16	5	4.2
KLA-08	8	40	30	61~70	20	M12X1.25(G1/4)	16	5	4.2
KLA-10	10	50	38	79~88	25	M16X1.5(G3/8)	19.5	6	5
KLA-15	15	50	46	88~102	28	M20X1.5(G1/2)	25	7.5	7.2
KLA-20	20	65	45	105~114	35	M27X2.0(G3/4)	29	9	7
KLA-25	25	65	45	105~114	44	M33X2(G1)	29	9	7

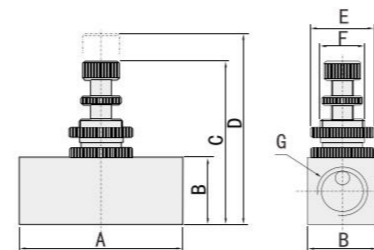
Flow Control Valve

Ordering Code RE Series Flow Control Valve

**R E** - **0 2**  
 |  
**Type Code** | **Joint Size**  
 RE: Flow Control Valve | 01: G1/8"  
 | 02: G1/4"  
 | 03: G3/8"  
 | 04: G1/2"



Main Dimensions



Model	A	B	C	D	E	F	G
RE-01	45	19	43	50	Φ19	M14X1	G1/8
RE-02	45	19	43	50	Φ19	M14X1	G1/4
RE-03	55	25	55	62	Φ25	M18X1	G3/8
RE-04	55	25	55	62	Φ25	M18X1	G1/2

Specifications

Model	RE-01	RE-02	RE-03	RE-04
Working Medium	Clean air(40µm Filtration)			
Acting Type	External Control			
Lubrication	No			
Working Pressure	0~1.0Mpa			
Max. Pressure	1.2Mpa			
Working Temperature	0~60°C			
Joint Size	G1/8"	G1/4"	G3/8"	G1/2"

Shuttle Valve

Ordering Code VS Series Shuttle Valve

**V S** - **0 8**  
 |  
**Type Code** | **Joint Size**  
 VS: Shuttle Valve | 06: G1/8" 15: G1/2"  
 | 08: G1/4" 20: G3/4"  
 | 10: G3/8" 25: G1"



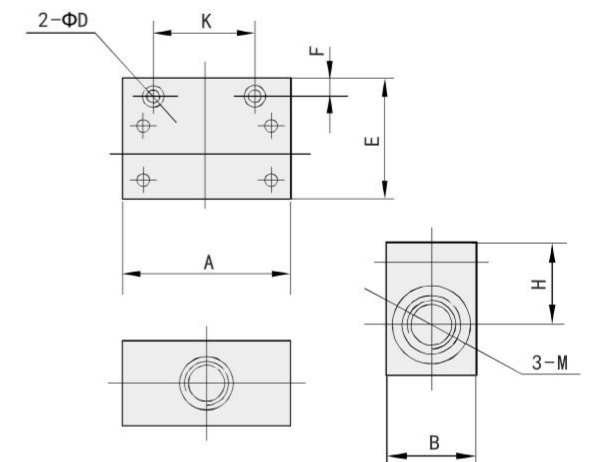
Specifications

Model	VS-06	VS-08	VS-10	VS-15	VS-20	VS-25
Working Medium	Clean air(40µm Filtration)					
Acting Type	External Control					
Working Pressure	0.05~1.0Mpa					
Max. Pressure	1.2Mpa					
Working Temperature	-5~60°C					
Joint Size	G1/8"	G1/4"	G3/8"	G1/2"	G3/4"	G1"

Main Dimensions

Model	A	K	B	E	H	F	D	Thread
VS-06	52	36	25	42	28	9	4.8	M10X1(G1/8)
VS-08	52	36	25	42	28	9	4.8	M12X1.25(G1/4)
VS-10	70	48	36	52	34	10	7	M16X1.5(G3/8)

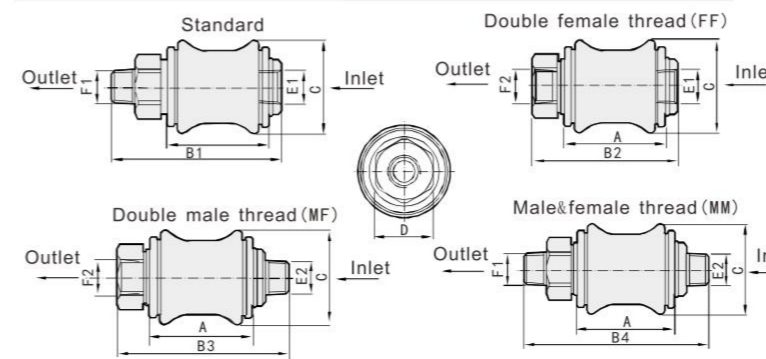
Model	A	K	B	E	H	F	D	Thread
VS-15	70	48	36	52	34	10	7	M20X1.5(G1/2)
VS-20	110	72	55	76	49	12	7	M27X2(G3/4)
VS-25	110	72	55	76	49	12	7	M33X2(G1)



Slide Valve

Ordering Code HSV Series Slide Valve

**H S V** - **0 8** - **M M**  
 |  
**Type Code** | **Joint Size** | **Thread**  
 HSV: Slide Valve | 06: G1/8" 08: G1/4" 10: G3/8" 15: G1/2" 20: G3/4" 25: G1" | Blank: Standard  
 | | MM: Double male thread  
 | | FF: Double female thread  
 | | MF: Male&female thread



Model	A	B1	B2	B3	B4	C
HSV-06	30	50	43	50	57	27.5
HSV-08	32.5	58	47	58	69	30
HSV-10	39	68.5	55.5	68.5	81.5	35.5
HSV-15	50	85.5	70.5	85.5	100.5	44
HSV-20	58	96.5	79.5	96.5	113.5	53.5
HSV-25	70	114.5	96.5	114.5	132.5	65.5

Model	D	E1	E2	F1	F2
HSV-06	17	G1/8"	G1/8"	G1/8"	G1/8"
HSV-08	19	G1/4"	G1/4"	G1/4"	G1/4"
HSV-10	22	G3/8"	G3/8"	G3/8"	G3/8"
HSV-15	30	G1/2"	G1/2"	G1/2"	G1/2"
HSV-20	36	G3/4"	G3/4"	G3/4"	G3/4"
HSV-25	43	G1"	G1"	G1"	G1"



One Way Valve

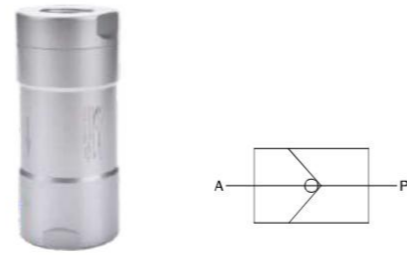
Ordering Code VA Series One Way Valve

VA - 08

Type Code: VA: One Way Valve

Joint Size:

06: G1/8"	25: G1"
08: G1/4"	32: G1-1/4"
10: G3/8"	40: G1-1/2"
15: G1/2"	50: G2"
20: G3/4"	



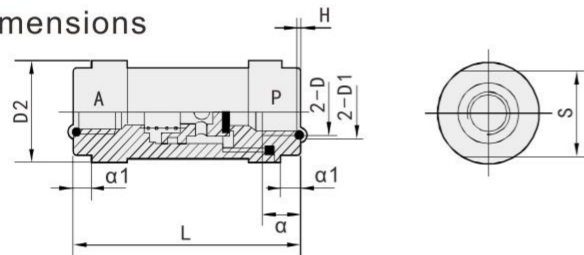
Specifications

Model	VA-06	VA-08	VA-10	VA-15	VA-20	VA-25	VA-32	VA-40	VA-50
Medium	Clean air(40µm Filtration)								
Pressure	0.05~0.8Mpa								
Max. Pressure	1.2Mpa								
Temperature	0~55°C								
Joint Size	G1/8"	G1/4"	G3/8"	G1/2"	G3/4"	G1"	G1-1/4"	G1-1/2"	G2"

Model	D	D1	D2
VA-06	M10X1 G1/8	Φ13	Φ25
VA-08	M12X1.5 G1/4	Φ16	Φ25
VA-10	M16X1.5 G3/8	Φ20	Φ38
VA-15	M20X1.5 G1/2	Φ26	Φ38
VA-20	M27X2 G3/4	Φ32	Φ50
VA-25	M48X2 G1	Φ40	Φ50
VA-32	M33X2 G1-1/4	Φ48	Φ88
VA-40	M42X2 G1-1/2	Φ54	Φ88
VA-50	M60X2 G2	Φ70	Φ115

Model	S	L	α	α1	H
VA-06	24	64	10	6	1.4 <sup>0</sup> <sub>-0.1</sub>
VA-08	24	64	12	6	1.4 <sup>0</sup> <sub>-0.1</sub>
VA-10	36	86	14	8	1.8 <sup>0</sup> <sub>-0.1</sub>
VA-15	36	86	14	8	1.8 <sup>0</sup> <sub>-0.1</sub>
VA-20	46	112	21	10	1.8 <sup>0</sup> <sub>-0.1</sub>
VA-25	46	112	23	10	2.7 <sup>0</sup> <sub>-0.12</sub>
VA-32	75	161	25	18	2.7 <sup>0</sup> <sub>-0.12</sub>
VA-40	75	161	26	18	2.7 <sup>0</sup> <sub>-0.12</sub>
VA-50	90	200	26	26	4.5 <sup>0</sup> <sub>-0.18</sub>

Main Dimensions



One Way Valve

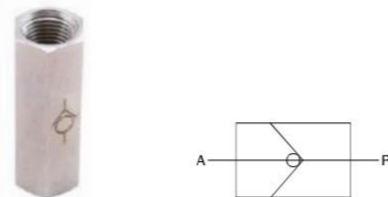
Ordering Code VAM Series One Way Valve

VAM - 08

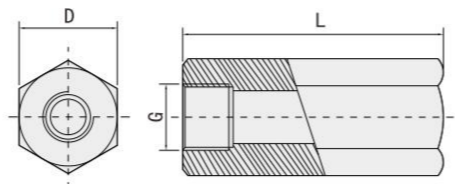
Type Code: VAM: One Way Valve

Joint Size:

M5: M5	10: G3/8"
06: G1/8"	15: G1/2"
08: G1/4"	



Main Dimensions



Model	G	L	D
VAM-M5	M5	21	10
VAM-06	G1/8"	37	14
VAM-08	G1/4"	48	17
VAM-10	G3/8"	50	21
VAM-15	G1/2"	60	24

Specifications

Model	VAM-M5	VAM-06	VAM-08	VAM-10	VAM-15
Medium	Clean air(40µm Filtration)				
Temperature	0~60°C				
Pressure	0.05~1.2Mpa				
Flow(mm <sup>2</sup> /s)	4	10	20	40	60
Leakage(cm <sup>3</sup> /min)	≤30	≤45	≤60	≤80	≤95
Joint Size	M5	G1/8"	G1/4"	G3/8"	G1/2"

Quick Exhausting Valve

Ordering Code VKP Series Quick Exhausting Valve

VKP - 08

Type Code: VKP: Quick Exhausting Valve

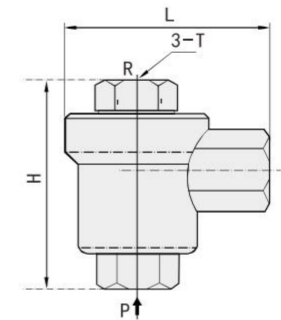
Joint Size:

06: G1/8"	
08: G1/4"	
10: G3/8"	
15: G1/2"	
20: G3/4"	



Specifications

Model	VKP-06	VKP-08	VKP-10	VKP-15	VKP-20
Medium	Clean air(40µm Filtration)				
Acting Type	External Lead				
Pressure	0.15~1.0Mpa				
Max. Pressure	1.2Mpa				
Temperature	-5~60°C				
Joint Size	G1/8"	G1/4"	G3/8"	G1/2"	G3/4"



Main Dimensions

Model	T	H	L
VKP-06	G1/8"	39	32
VKP-08	G1/4"	42.5	37.5
VKP-10	G3/8"	50	45
VKP-15	G1/2"	65.5	54
VKP-20	G3/4"	91	66

Quick Exhausting Valve

Ordering Code VQE Series Quick Exhausting Valve

VQE - 02

Type Code: VQE: Quick Exhausting Valve

Joint Size:

01: G1/8"	04: G1/2"
02: G1/4"	06: G3/4"
03: G3/8"	

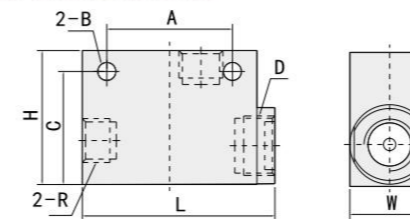


Specifications

Model	VQE-01	VQE-02	VQE-03	VQE-04	VQE-06
Medium	Clean air(40µm Filtration)				
Material	Aluminum				
Temperature	0~60°C				
Pressure	0.05~0.9Mpa				

Model	VQE-01	VQE-02	VQE-03	VQE-04	VQE-06
Max. Pressure	1.0Mpa				
Sectional Area	16mm <sup>2</sup>	27mm <sup>2</sup>	28mm <sup>2</sup>	71mm <sup>2</sup>	73mm <sup>2</sup>
Max. Flow(l/min)	886	1823	2300	3000	3848
Joint Size	G1/8"	G1/4"	G3/8"	G1/2"	G3/4"

Main Dimensions



Model	R	L	W	H	A	B	C	D
VQE-01	1/8"	46	19	32	30	Φ4.3	27	G1/4
VQE-02	1/4"	61.5	25.5	38	39	Φ5.6	31.5	G3/8
VQE-03	3/8"	61.5	25.5	38	39	Φ5.6	31.5	G3/8
VQE-04	1/2"	98	38	63.7	60	Φ8.5	50.5	G3/4
VQE-06	3/4"	98	38	63.7	60	Φ8.5	50.5	G3/4